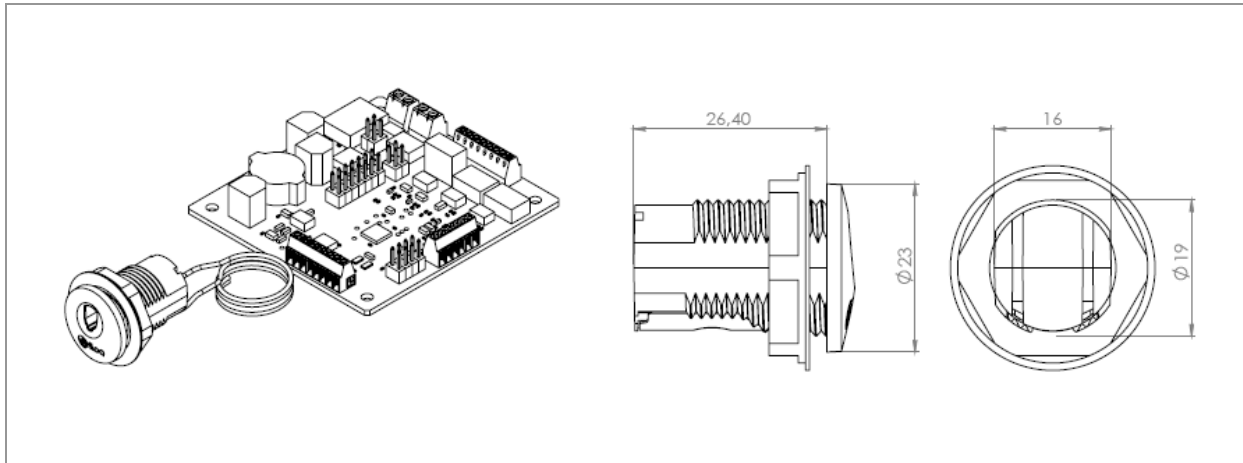


## iLOQ R10S.1 KEY READER



### Features

The patented, award winning iLOQ S10 locking system offers advanced security and convenient access management for master-key locking environments.

The iLOQ R10S key reader module has been developed for easy control of peripheral systems by the iLOQ key. The same iLOQ key used for opening doors is used as an identification object to activate additional applications like elevators, parking barriers or alarm systems. The iLOQ key reader is a module with three relays and a key reader head. The relay outputs are activated when the iLOQ K10S is read.

The distance between the key reader head and the reader module can be up to 50m, meaning the controlling sensitive relay parts can be installed in secured places inside the building. Note: Use MHS cable between the key reader head and the reader module.

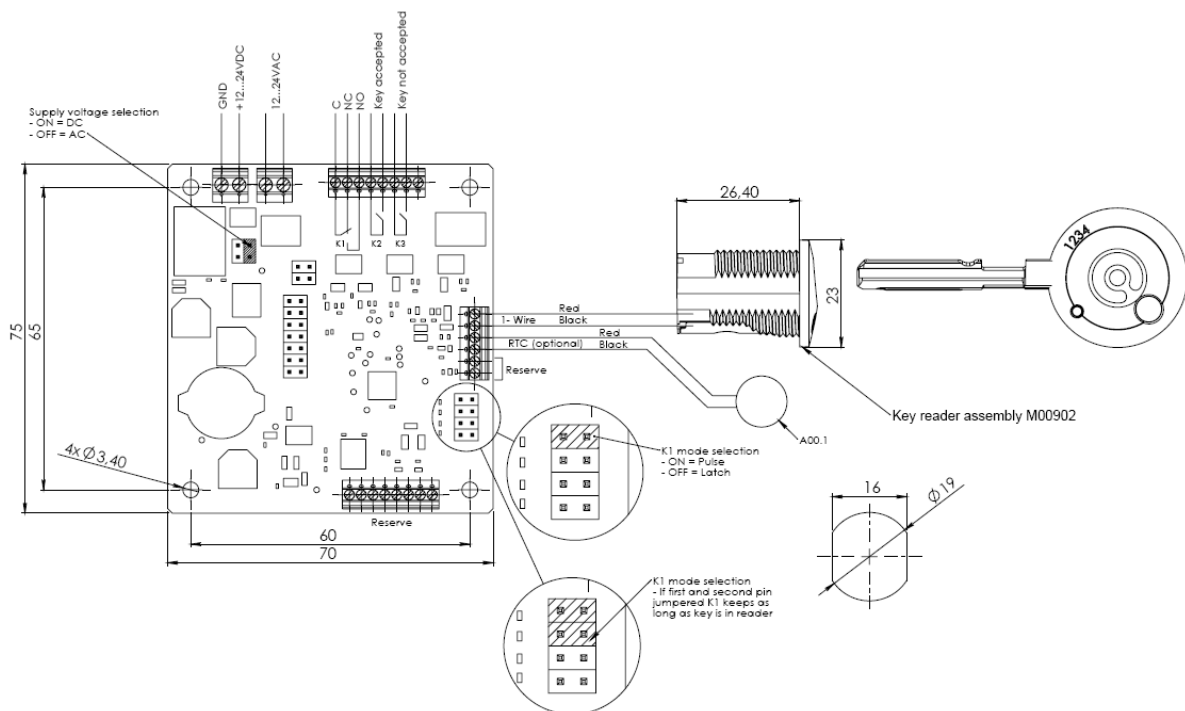
The key reader module is programmed at the installation site using a mobile phone or computer and iLOQ P10S programming device. The reader records audit trail of lock events.

### iLOQ R10S.1 Key Reader in brief

- Programmable electronic relay output module and key reader head (optional with reader head mounting plate A00.8 and LED indicator A00.9)
- Secured using powerful encryption methods; unique 64bit challenge and SHA-1 computed 160bit MAC pair for key authentication
- Programmed using a mobile phone or computer and iLOQ P10S Programming device
- Blacklist for individual lost keys
- Access group list for key accesses
- Combined blacklist and access group capacity 128 entries
- Audit trail capacity 448-510 events
- Pre-blacklisting of lost key using new replacing key
- 1-Wire® communication interface
- PC board can be installed to safety place

## Technical Data

1. Supply voltage	12-24 VDC/VAC
2. Current max.	1A/12V, 0,5A/24V
3. Relay outputs	Key accepted, K1: NC and NO Contact, latch or pulse Key accepted, K2: 1 NO Contact, pulse Key not accepted, K3: 1 NO Contact, pulse
4. Relay contact ratings	1A/30 VDC 0,6A/48 VDC
5. Operating temperature range	-10..+50 °C



## Operation

To operate the key reader, insert the key entirely into the keyway and wait until accepted or not accepted signal is activated. **Do not turn the key in the key reader.**

The contact wire on the metal part of the key must be clean and smooth. If the contact wire is dirty, wipe it clean using a soft tissue. Replace the key if the contact wire is damaged.