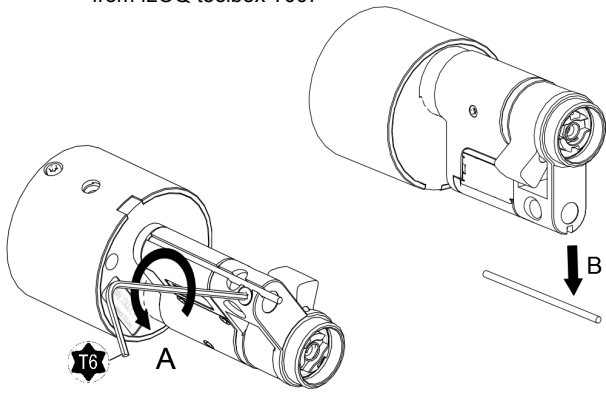


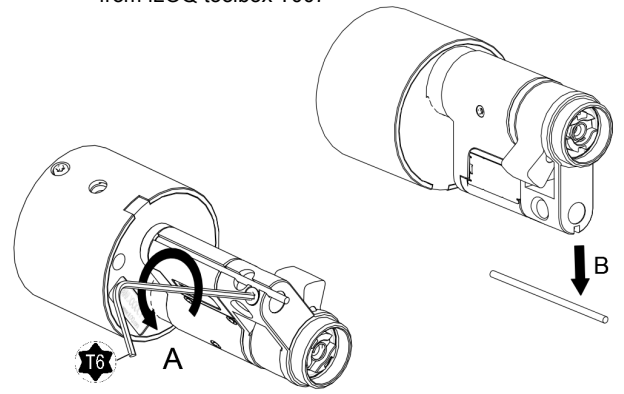
It is recommended to use tools from iLOQ toolbox T007

# 1

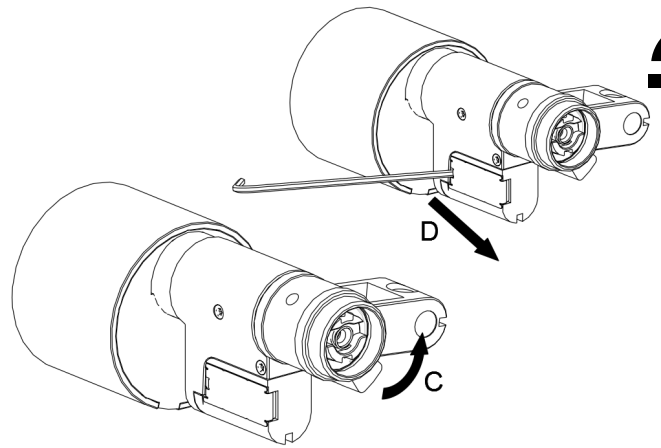
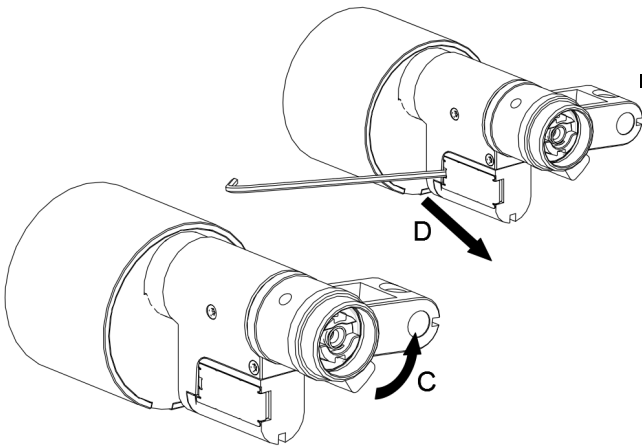


It is recommended to use tools from iLOQ toolbox T007

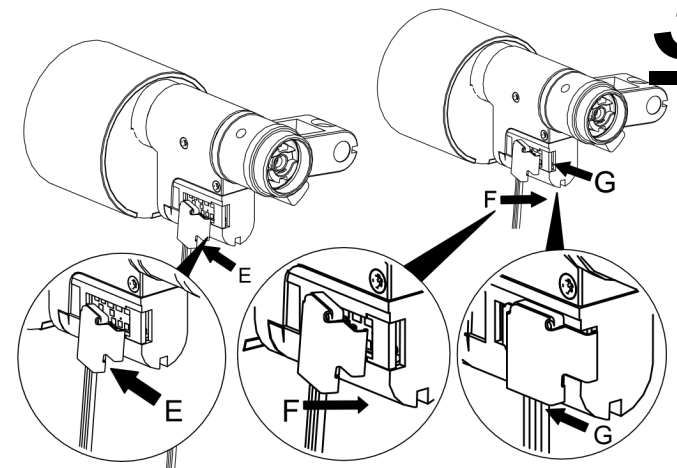
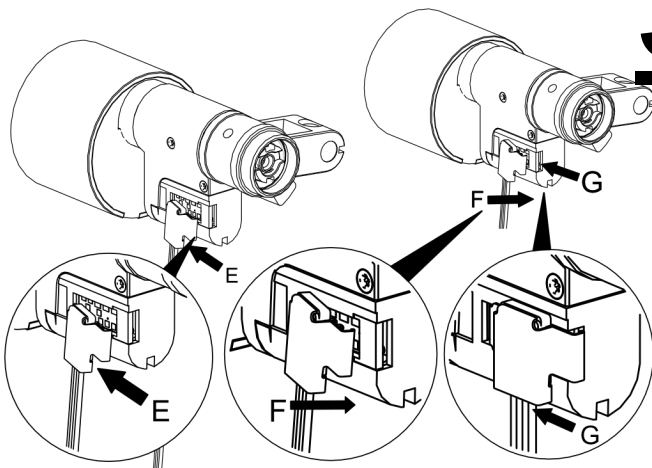
# 1



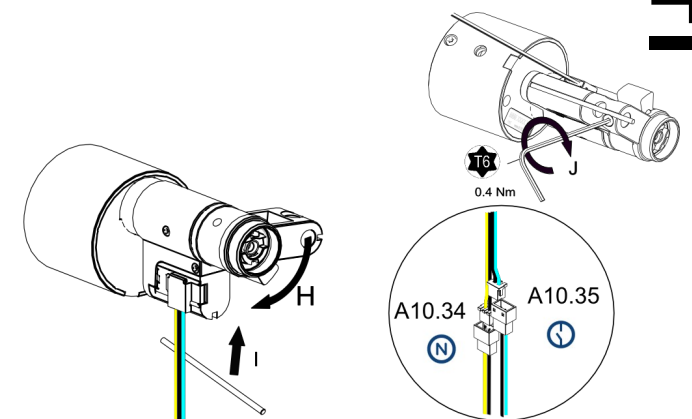
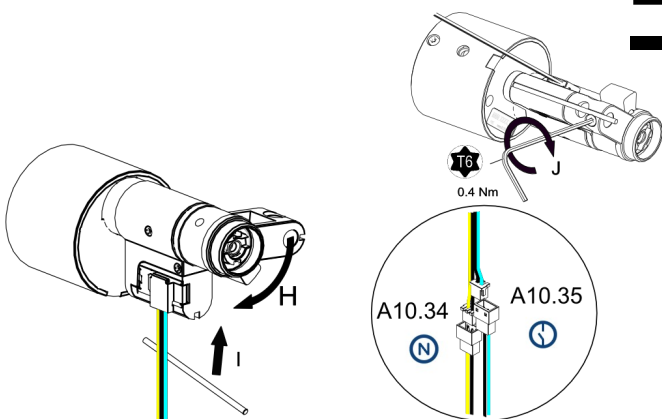
# 2



# 3



# 4



# 4