

iLOQ S50 CAM LOCK G50S.231, G50S.241

General

The patented, award winning iLOQ S50 locking system offers advanced security and convenient access sharing capabilities for master-key locking environments.

The iLOQ S50 Cam lock offers a flexible solution for locking medical cabinets, key boxes, IT and distribution cabinets and many more. The lock harvests electricity wirelessly from NFC field, which enables using phone not only as a key but also as a power source thus the lock is completely battery free. As no batteries are required, the locks are maintenance free and environmentally friendly green solution that eliminates work, costs, waste and harm associated with battery powered solutions.

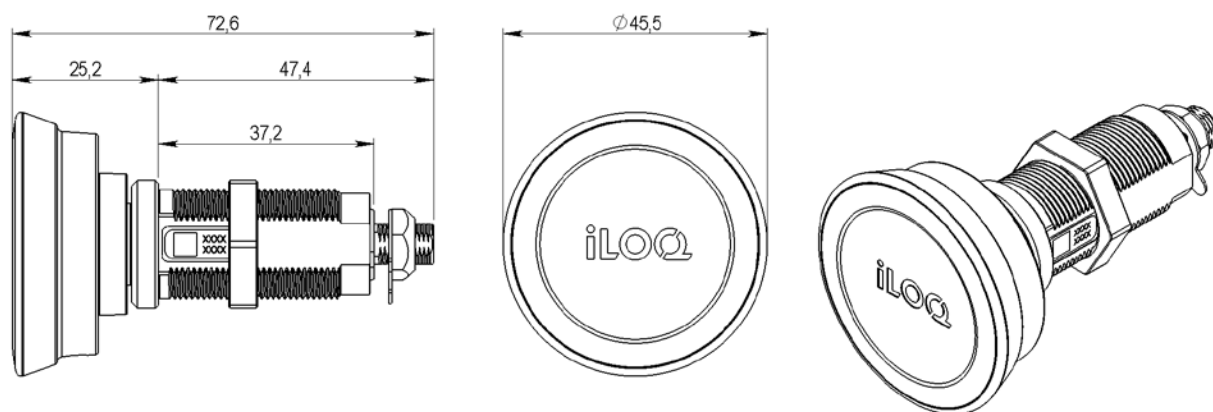
The lock doesn't have a keyway due to the contactless NFC operation. It is designed to be used in harsh environments where the locks are exposed to dust, moisture and varying temperature conditions ranging from extremely cold to hot weather.

The phone as a key enables flexible access sharing with time restrictions and audit trail reporting over the air. The security level is kept high and security gaps caused by lost key can be eliminated completely without costly change of locks and keys.

G50S.231/241 Cam lock in brief

- Battery-free programmable electromechanical cam lock for iLOQ S50 locking system
- Available in different country variations
- NFC-powered: no batteries required for the lock
- Opening with NFC enabled smartphone* or iLOQ K55S Key Fob
- Secured using powerful AES256 encryption and mutual authentication
- Initial programming with PC and iLOQ P50S.1 Programming Token in connection to server
- Access right list for access groups
- Blocklist for individual lost keys
- Internal audit trail record with time stamp (can be configured on/off)
- Supports time restrictions
- Can be configured to require online opening authentication
- Re-programming with keys (Android phone or K55S Key Fob)
- Firmware updateable
- .231 – opening and closing with user credential
- .241 – opening with user credential and closing without user credential (ratchet function)

Product version



G50S.231	Cam Lock with 7*7mm rear plug
G50S.241	Cam Lock with 7*7mm rear plug and ratchet function

Memory capacity

Number of access rights	210
Number of blocklisted keys	500 per zone
Number of time profiles	10
Event log	At least 500 latest events with time stamp

Technical data

Lock body	Stainless steel
Turn knob	Plastic, black
Corrosion resistance	96h salt spray
Temperature range	-35°C to +60°C
Ingress protection rating	IP65

Accessories

AG50.2	Extension ring 4mm
AG50.5	Swedish installation adapter for 21mm hole
AG50.6	Anti-rotation installation plate for wooden door
AG50.7	Round escutcheon for G50S.2x1 cam locks
AG50.8	Security bolt for G50S.2x1 cam locks

Accessories



AG50.2
Extension ring 4mm



AG50.5
Swedish installation adapter for 21mm hole



AG50.6
Swedish installation adapter for 21mm hole



AG50.7
Round escutcheon for G50S.2x1 cam locks



AG50.8
Security bolt for G50S.2x1 cam locks



AG50.9
Worm Box set for G50S.2x1 cam locks