

## iLOQ H10S3, H10S4 AND H10S5 PADLOCK

### General

The patented, award winning iLOQ S10 locking system offers advanced security and convenient access management for master-key locking environments.

The iLOQ S10 padlocks enable usage of the iLOQ S10 locking system for securing remote objects and locations. The self-powered iLOQ padlocks are available in different body and shackle sizes. The iLOQ padlock records audit trail of the key usages and enables flexible access management for each key and each padlock. The security level is kept high and security gaps caused by lost key can be eliminated completely without costly change of locks and keys.

---

### iLOQ padlocks in brief

- Programmable electromechanic padlock for iLOQ S10 locking system
- Self-powered: no batteries or external energy source required for the lock and key
- All iLOQ S10 padlocks and iLOQ S10 keys are mechanically identical
- Secured using powerful encryption methods; unique 64bit challenge and SHA-1 computed 160bit MAC pair for key authentication
- Programmed using a PC and the iLOQ P10S.10 Programming device
- Blacklist for individual lost keys
- Access group list for key accesses
- Pre-blacklisting of lost key using a replacing key
- Firmware updateable
- Made in EU

## Technical data

The iLOQ padlocks consist of standard iLOQ C10S.1 or C10S.10 lock cylinder which is inserted into EN 12320 Grade 3/4/5 padlock case.

Technical data of iLOQ C10S.1/ C10S.10:

## Memory capacity

	16 bit*	24 bit*
Amount of standard and/or conditional access right groups.....	210	140
Amount of access rights with version-data.....	1+208 standard/conditional	1+138
Amount of blacklisted lost keys.....	210	140
Pre-blacklist for replaced keys.....	256	256
Event log .....	512	512

\* Access right capacity varies according to used locking system, 16 or 24 bit.

## Technical data of C10S.1

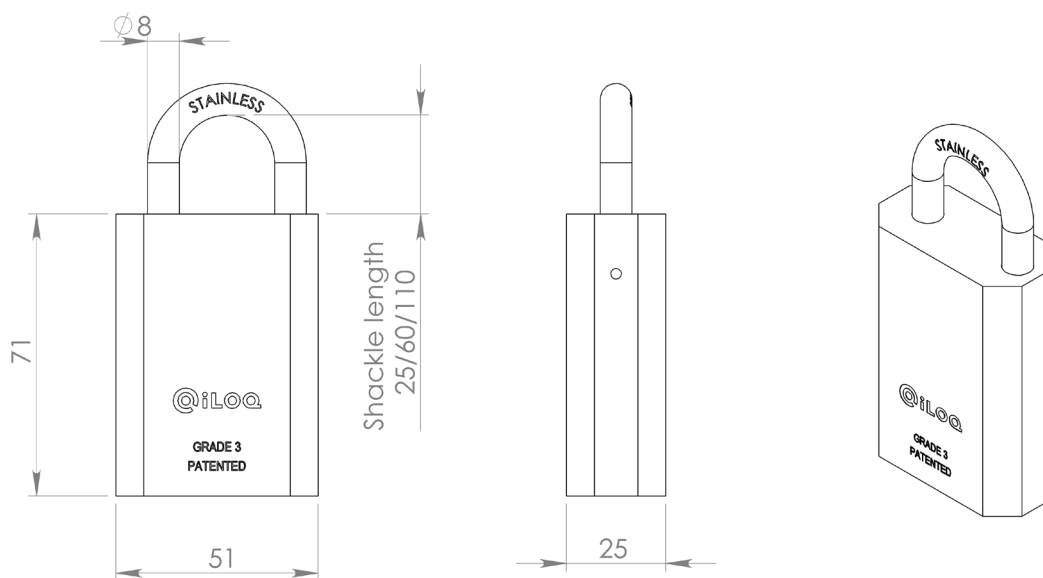
Durability EN15684:2013-01 (Grades 4-6).....	Grade 6, 100 000 cycles (equivalent to 200 000 openings)
Electronic key related security EN15684:2013-01 (Grades A-F).....	Grade F (1000 000 000 combinations, protected communication)
Temperature range C10S.1 .....	-35 °C...+70 °C
Temperature range C10S.10.....	-10 °C...+70 °C*
Optional real time clock.....	10 years operation time Time shifting max +/- 2 minutes per month
Ingress protection rating.....	IP21
Attack resistance EN15684:2013-01 (Grades 0-2) .....	Grade 2**
Certifications .....	Finnish FK, class 1** and 3** Swedish SBSC, class 4**

\*C10S.10 only for indoor environments where humidity and temperature are constant

\*\* With appropriate escutcheon

## Product versions H10S3

The iLOQ padlock consists of standard iLOQ C10S.1 or C10S.10 lock cylinder which is inserted into EN 12320 Grade 3 padlock case.

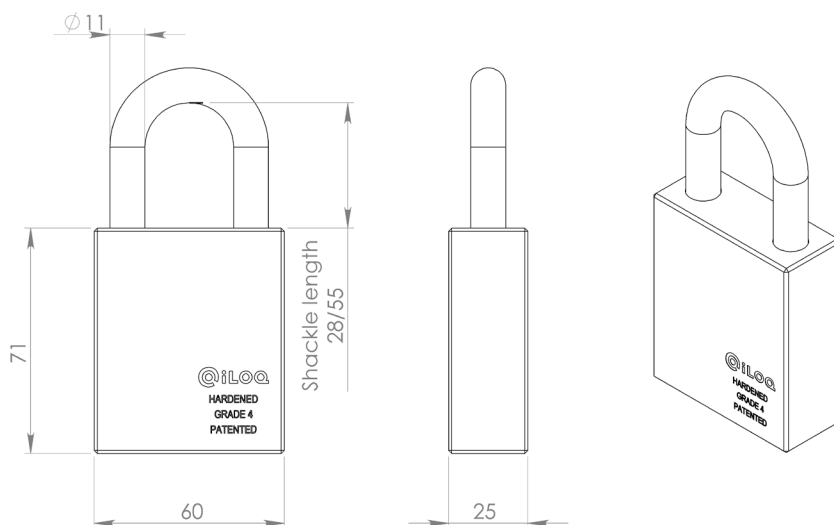


H10S3.1.....	Padlock for outdoor
H10S3.10.....	Padlock for indoor
H10S3.1C.....	Padlock for outdoor with fixed 50cm chain
H10S3.10C.....	Padlock for indoor with fixed 50cm chain

H10S3 is approved in Class 2 according to SSF014 by the Swedish SBSC.

## Product versions H10S4

The iLOQ padlock consists of standard iLOQ C10S.1 or C10S.10 lock cylinder which is inserted into EN 12320 Grade 4 padlock case.

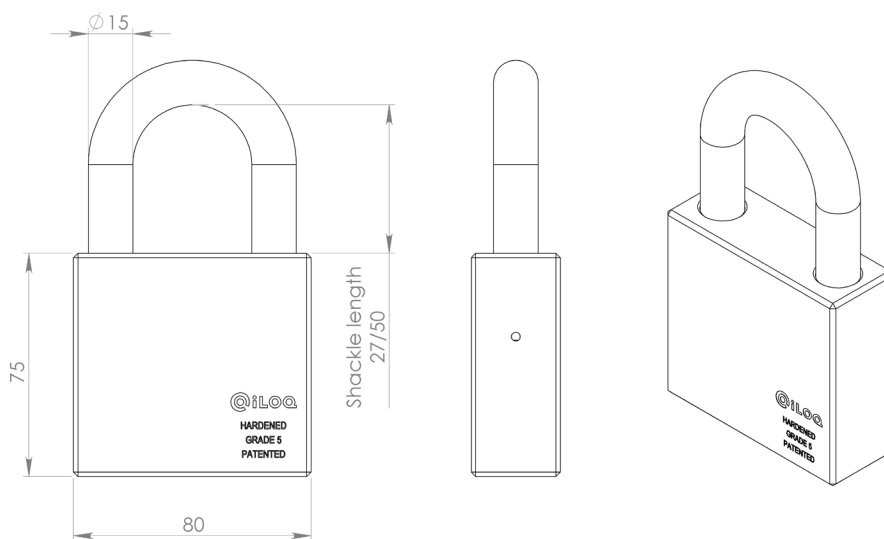


H10S4.1.....	Padlock for outdoor
H10S4.10.....	Padlock for indoor
H10S4.1C.....	Padlock for outdoor with fixed chain
H10S4.10C.....	Padlock for indoor with fixed chain

H10S4 is approved in Klass 2 according to SSF014 by the Swedish SBSC.

## Product versions H10S5

The iLOQ padlock consists of standard iLOQ C10S.1 lock cylinder which is inserted into EN 12320 Grade 5 padlock case.



H10S5.1.....	Padlock for outdoor
H10S5.2.....	Padlock for indoor
H10S5.1C.....	Padlock for outdoor with real time clock
H10S5.2C.....	Padlock for indoor with real time clock

H10S5 is approved in class 3 by the Finnish non-life insurers' Federation (FK).

H10S3 is approved in Klass 4 according to SSF014 by the Swedish SBSC.