

iLOQ R10S.3.X KEY SWITCH (RELAY CARD + KEY READER)

General

The iLOQ R10S.3 Key Switch has been developed for easy control of peripheral systems by the iLOQ K10S key. The same iLOQ Key used for opening lock cylinders is used as an identification object to activate additional applications like elevators, parking barriers and alarm systems.

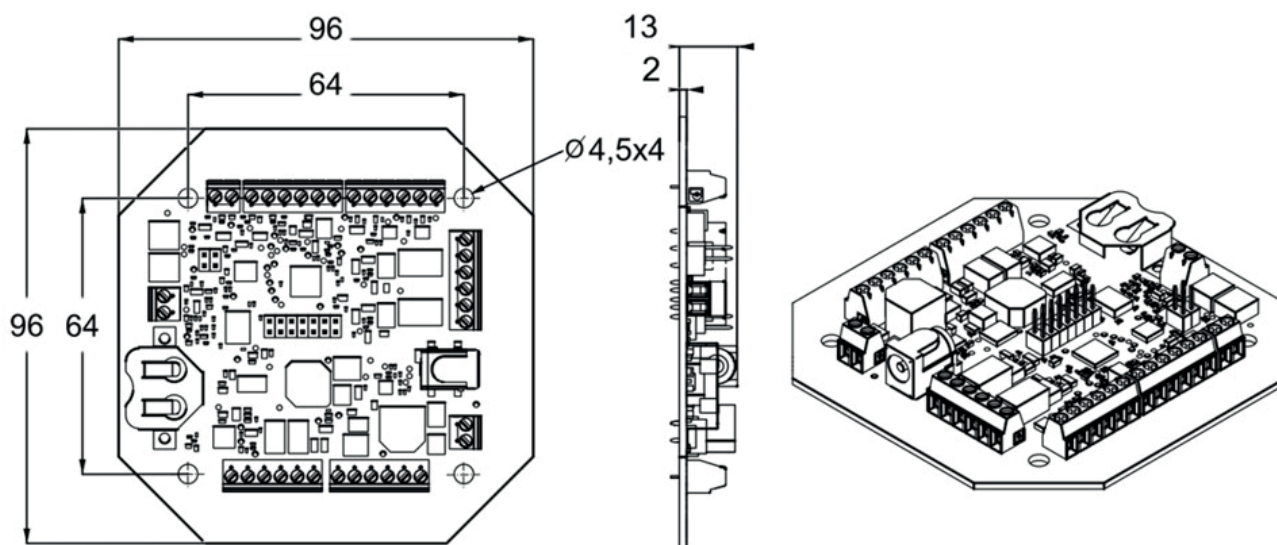
The iLOQ Key Switch R10S.3.x consists of programmable Relay Card and assorted Key Reader.

The relay output(s) are activated when the iLOQ K10S key is read. The distance between the Key Reader and the Relay Card can be up to 100m, meaning the controlling sensitive relay parts can be installed in secured place inside the building.

The Key Switch is programmed using a computer and the iLOQ Programmer. The Key Switch records audit trail of lock events.

Product versions

| | |
|---------------|--|
| R10S.3.1..... | Relay card with A10.56.1 surface mounted |
| | Key Reader |
| R10S.3.2..... | Relay card with A10.56.2 surface mounted |
| | Key Reader |
| R10S.3.3..... | Relay card with A10.42 flush mounted |
| | Key Reader |
| R10S.3.4..... | Relay card with A10.56.4 surface mounted |
| | Key Reader |



A00.10 relay card in brief

- Secured using powerful challenge response authentication (SHA-1)
- Programmed using the iLOQ P10S Programmer
- iLOQ 2-wire interface for online connection for remote programming
- Blacklist for individual lost keys
- Access group list for key accesses (access rights)
- Pre-blacklisting of lost key by a key
- Event log
 - » Time stamp with optional real time clock
- Communication interface for iLOQ Key Reader
- Place for real time clock (A00.9)
- External input for controlling conditional access right by potential free contact information
- 2 potential free relay outputs (K1 and K2) for controlling external device
- 3 digital outputs for LED-indication for surface mounted Key Readers A10.56.1/2/4
- RS232 bus for relay extension module
 - » 8 outputs (A00.11)
 - » 16 outputs (A00.12)
- 2 potential free push button inputs for activating K1 and K2 relays
- Cylinder interface for activating relay K2 instead of the Key Reader
- Relay Card can be installed to a safe place
 - » A10.83 enclosure available as an accessory
- Made in EU

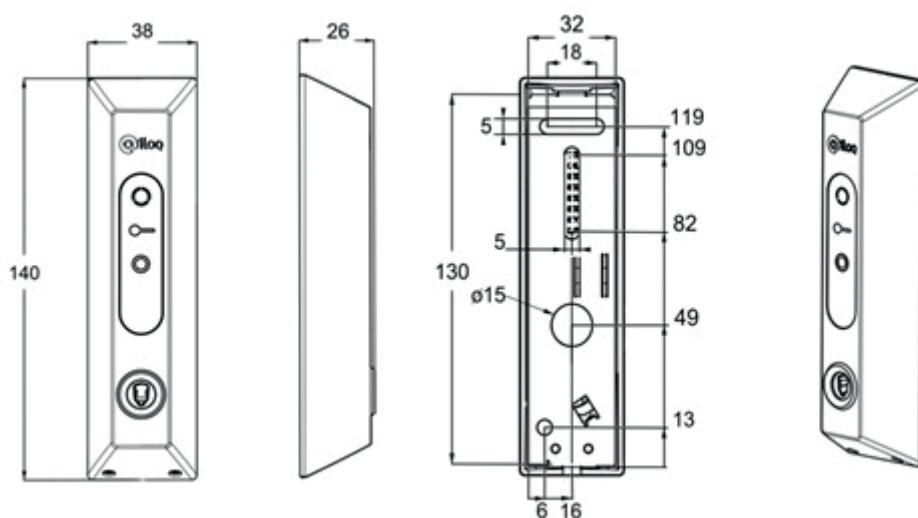
Memory capacity

| | 16 bit* | 24 bit* |
|---|----------------------------|---------|
| Amount of standard and/or conditional access right groups | 210 | 140 |
| Amount of access rights with version-data..... | 1+208 standard/conditional | 1+138 |
| Amount of blacklisted lost keys..... | 210 | 140 |
| Pre-blacklist for replaced keys | 256 | 256 |
| Event log | 512 | 512 |

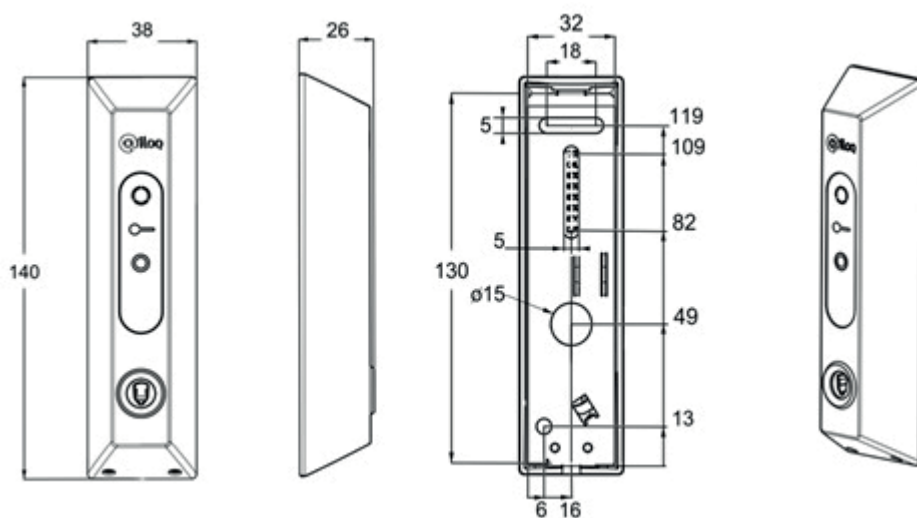
Technical data

| | |
|---|-------------------------------|
| Supply voltage | 12...48 VDC |
| Current consumption with A10.56.x reader..... | Max. 70mA/12Vdc, 40mA/24Vdc |
| Current consumption with 1 relay extension module..... | Max. 500mA/12Vdc, 300mA/24Vdc |
| Current consumption with 2 relay extension modules..... | Max. 1A/12Vdc, 600mA/24Vdc |
| Relay outputs' K1 and K2 contacts..... | C, NC and NO |
| Contact ratings K1 and K2 | 3A/12V, 2A/24V, 1A/48V |
| Operating temperature range..... | - 10...+ 50 °C |

A10.56.1 key reader



A10.56.2 key reader

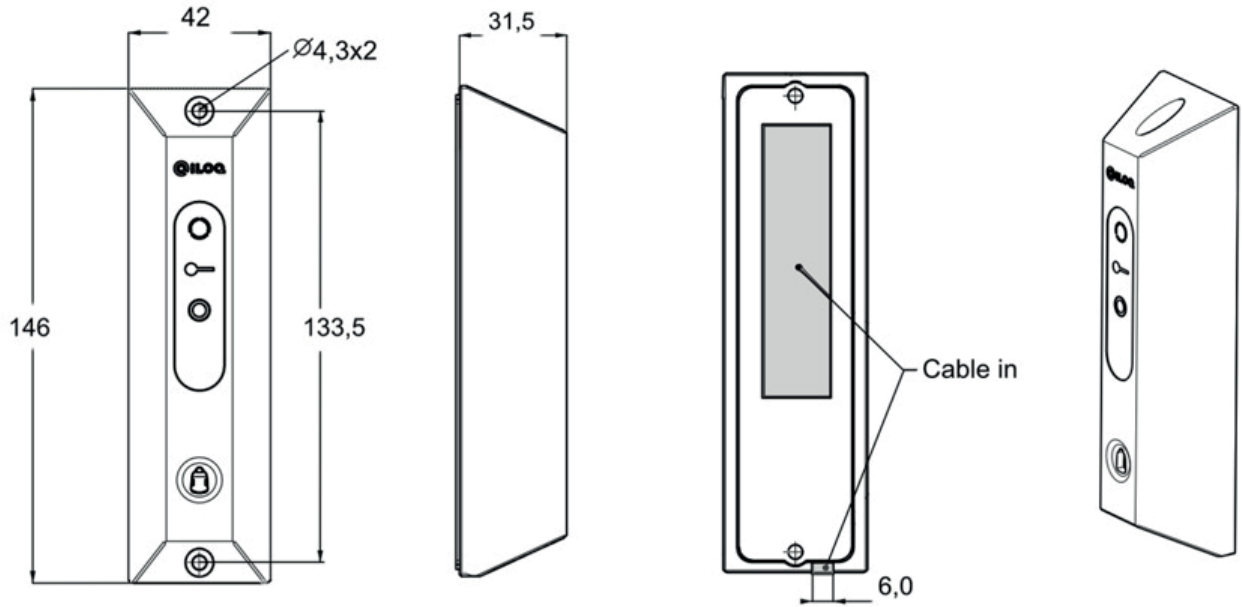


A10.56.1 / A10.56.2 key reader in brief

- Surface mounted Key Reader
- Communication interface for iLOQ A00.10 Relay Card
- Power ON -LED
- LED indication of Key authentication
- Inputs for LED indication of external device's status
- Cover material: plastic
- For indoor use. If used outdoors, the Reader must be protected against rain
 - » Weather protection cover A10.84 available as an accessory
- Key-way direction:
 - » A10.56.1: Contact wire downwards (for Scandinavian oval cylinder market)
 - » A10.56.2: Contact wire upwards (for Europrofile cylinder market)

Technical data

Supply voltage of external device's status LED.....3,3...24 VDC
 Operating temperature range.....-25...+50 °C

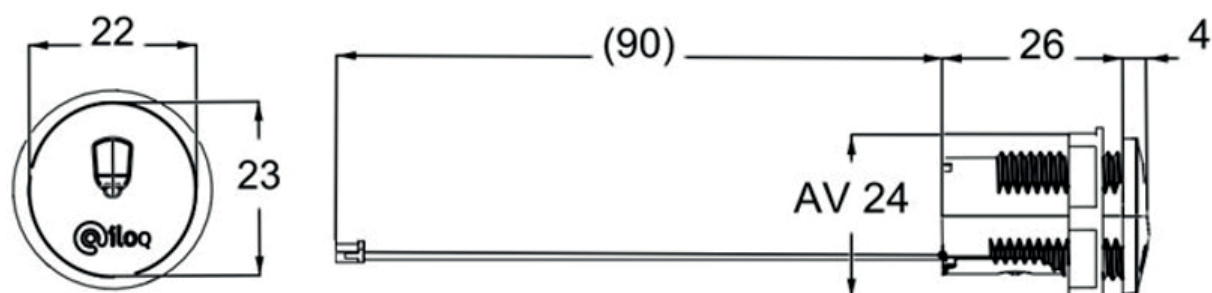


A10.56.4 key reader in brief

- Surface mounted Key Reader
- Communication interface for iLOQ A00.10 Relay Card
- Power ON -LED
- LED indication of Key authentication
- LED indication of external device's status
- Cover material: Stainless steel
 - » vandal proof
 - » hard wearing
- If used outdoors, the Reader must be protected against rain
 - » Weather protection cover A10.84 available as an accessory
- Key way direction: Contact wire upwards

Technical data

| | |
|---|--------------|
| Supply voltage of external device's status LED..... | 3,3...24 VDC |
| Operating temperature range..... | -25...+50 °C |



A10.42 key reader in brief

- Flush mounted Key Reader
- No LED indications
- Communication interface for iLOQ A00.10 Relay Card
- Cover material: plastic
- For indoor use. If used outdoors, the Reader must be protected against rain

Technical data

Operating temperature range..... -25...+50 °C