

D50S.230, D50S.240, D50S.250, D50S.230A, D50S.240A, D50S.250A EUROPROFILE HALF CYLINDER

General

The patented, award winning iLOQ S50 locking system offers advanced security and convenient access sharing features for master-key locking environments.

The iLOQ D50S Europrofile cylinders harvest electricity wirelessly from the NFC field. This technology transforms a smartphone into a key and power source making the lock completely battery-free. Because no batteries are required, the locks are a maintenance-free and environmentally-friendly green solution that reduces workload, costs, waste and harm associated with battery-powered solutions.

The iLOQ S50 doesn't have a keyway due to contactless NFC technology. The lock is designed for exposure to harsh environments and extreme climates, while remaining water-resistant and dustproof.

The smartphone as a key provides exceptional features coupled with high security. With flexible access sharing, time restrictions and audit trail reporting over-the-air, security gaps caused by lost keys can be eliminated completely without costly changes to locks and keys.

The cylinder body is 30 mm long. The cylinder length can be easily extended from 5 mm resolution to 100 mm resolution with extension pieces. Modular extension solutions enable flexible stocking and easy length modifications on installation sites. The modular system also allows for different cylinder combinations: half-, knob- and double cylinders. The cylinder is available in two different

reader lengths; short and long. The position of the short reader can be adjusted 2 mm and the long reader 4 mm, in 2 mm steps.

To meet the Netherland's S KG*** or German VdS BZ requirements use D50S.3XXA cylinder (certificates under process)

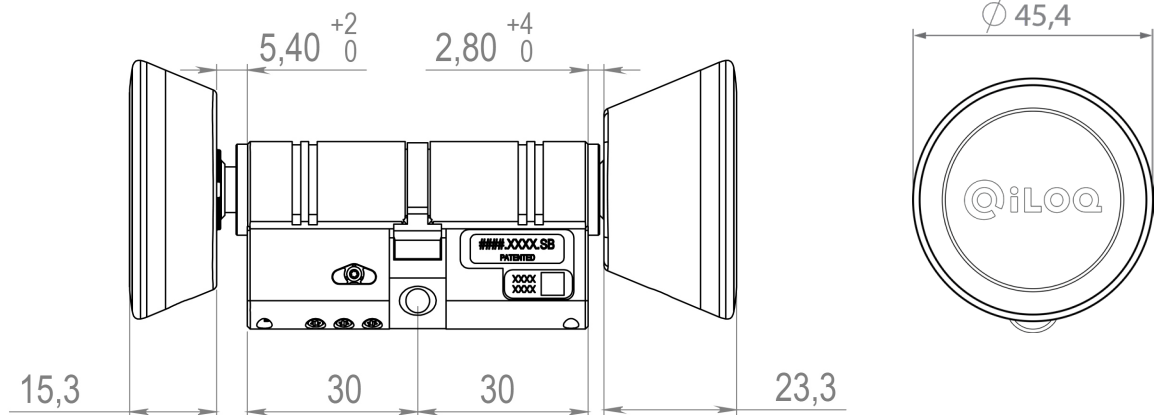
iLOQ D50S.230, D50S.240, D50S.250, D50S.230A, D50S.240A, D50S.250A

Europrofile double cylinders in brief

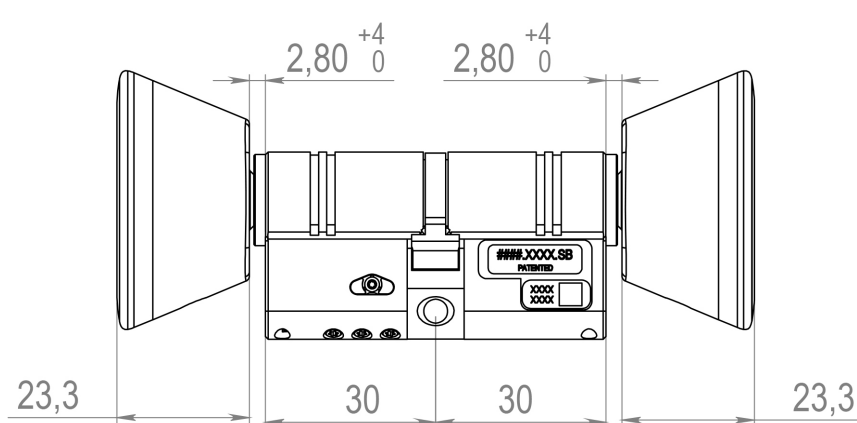
- Battery-free programmable electromechanical lock cylinder for iLOQ S50 locking system
- NFC-powered: no batteries required for the lock
- Opening with NFC enabled Android phone or iLOQ K50S Key Fob
- Secured using powerful AES256 encryption and mutual authentication
- Compatible with DIN 18252 Europrofile cylinder standard
- Modular construction allows easy configuration for half-, double-, or turn-knob version and cylinder length adjustment
- Length extensions available in 5 mm steps up to 70 mm
- Initial programming with PC and iLOQ P50S.1 Programming Token in connection to server
- Access right list for access groups
- Blacklist for individual lost keys
- Internal audit trail record with time stamp (can be configured on/off)
- Supports time restrictions
- Can be configured to require online opening authentication
- Re-programming with keys (Android phone or K50S Key Fob)
- Firmware updateable

Product versions

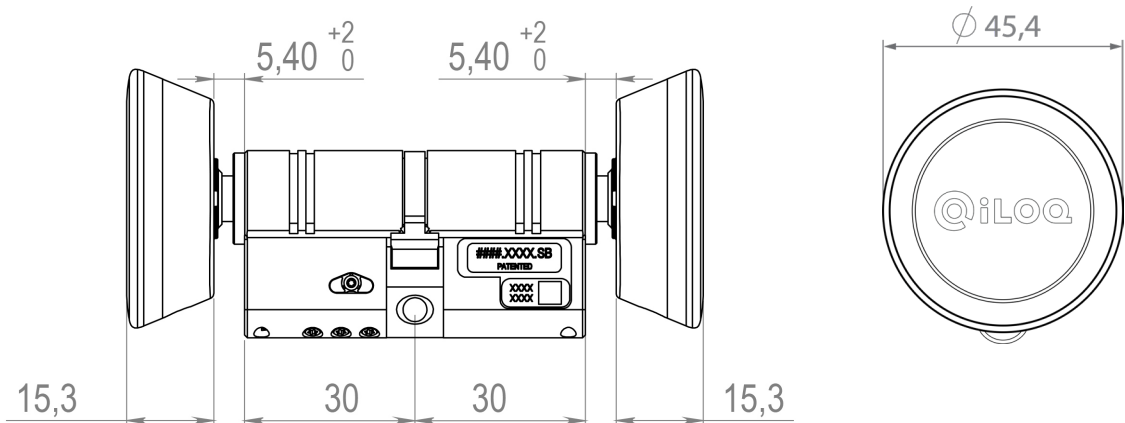
D50S.230 and D50S.230A



D50S.240 and D50S.240A



D50S.250 and D50S.250A



D50S.230.SD.....	Europrofile double cylinder with one short and one long reader. Short reader adjustment 2 mm. Long reader adjustment 4 mm in 2 mm steps.
D50S.240.SD.....	Europrofile double cylinder with long reader on both sides. Reader adjustment 4 mm in 2 mm steps.
D50S.250.SD.....	Europrofile double cylinder with short reader on both sides. Reader adjustment 2 mm.
D50S.230A.SD.....	High security Europrofile double cylinder with one short and one long reader. Short reader adjustment 2 mm. Long reader adjustment 4 mm in 2 mm steps.
D50S.240A.SD.....	High security Europrofile double cylinder with long reader on both sides. Reader adjustment 4 mm in 2 mm steps.
D50S.250A.SD.....	High security Europrofile double cylinder with short reader on both sides. Reader adjustment 2 mm.

Memory capacity

Number of access rights	210
Number of blacklisted keys	2000
Number of time profiles	10
Event log	At least 500

Technical data (designed to meet following requirements. Certificates under process)

Lock body	Stainless steel, satin finish
Reader knob.....	Black plastic
Category of use: EN15684 (Grades 0-1)	Grade 1
Durability: EN15684 (Grades 4-6)	Grade 6, 100 000 cycles
Environmental resistance: EN15684 (Grades 0-4)	Grade 4
Electronic key related security: EN15684 (Grades A-F).....	Grade F
System management: EN15684 (Grades 0-3)	Grade 3
Attack resistance: EN15684 (Grades 0-2)	Grade 0/2 (*
Temperature range	-40°C to +80°C
Ingress protection rating	IP54
Certificates	EN15684, SKG***(* VdS BZ*

*) D50S.2xxA version with appropriate escutcheon. Certificates under process.