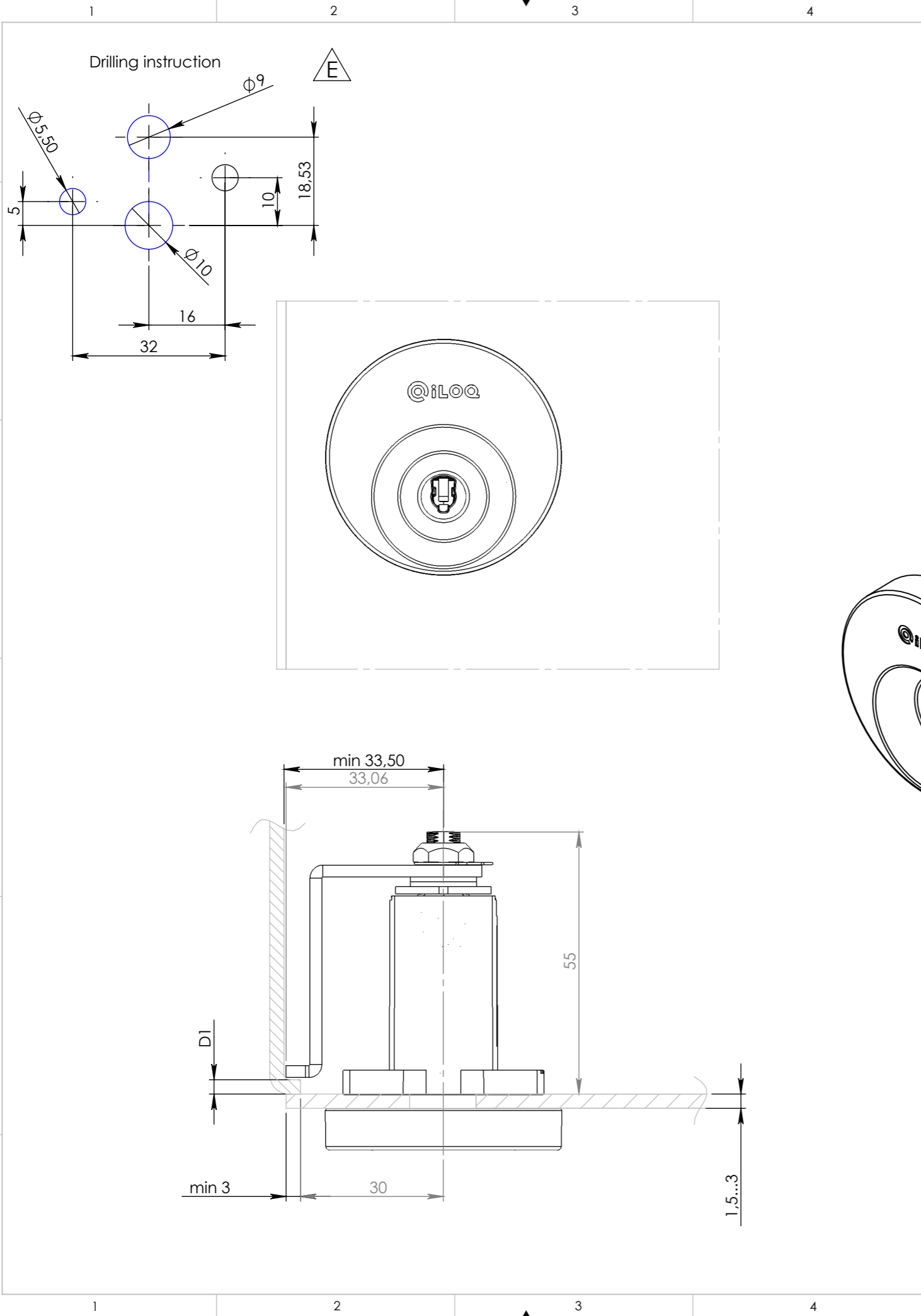
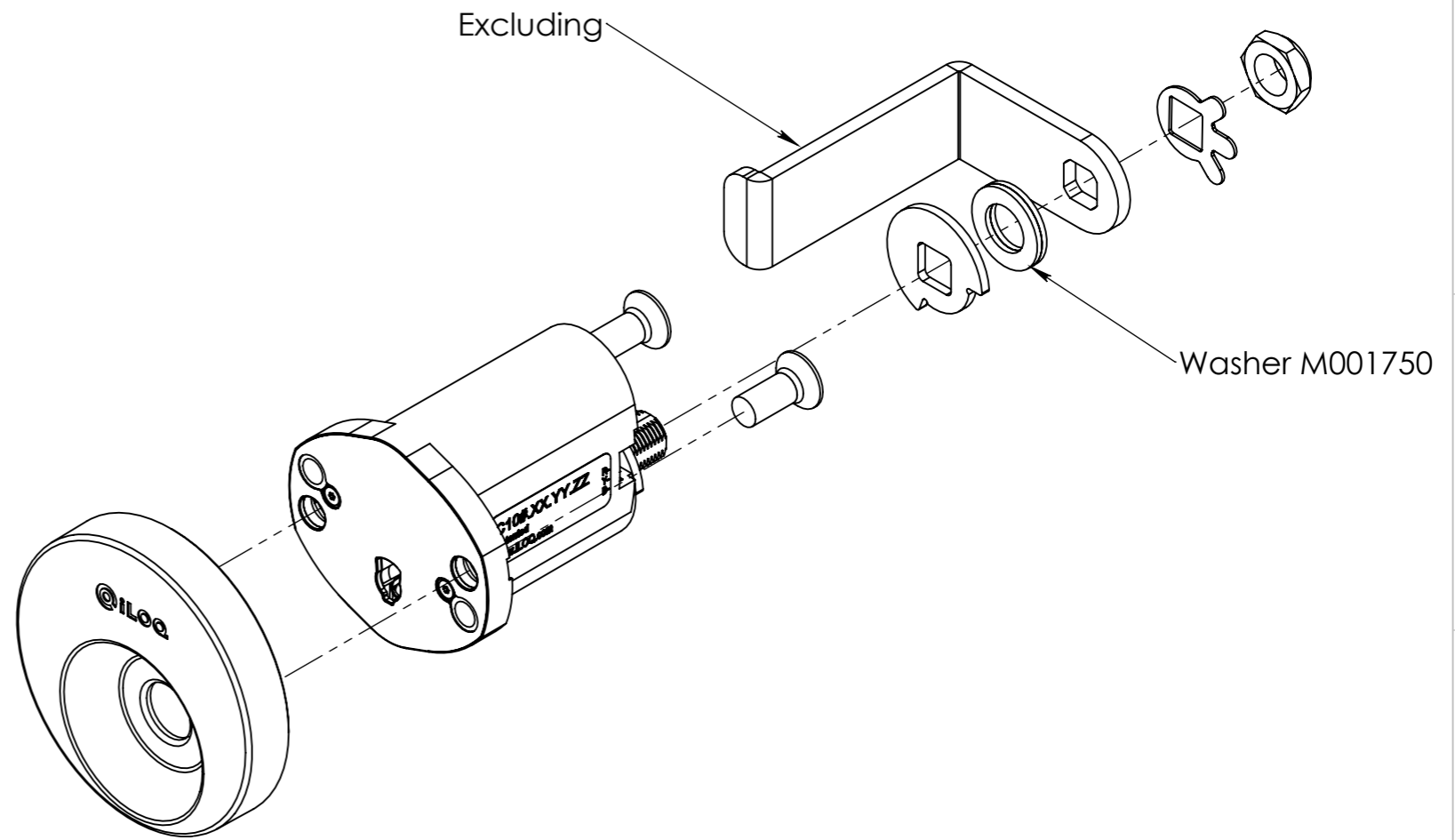


iLoq and iLoq™ are registered trademarks of iLoq Oy. This document and its contents are the property of iLoq Oy and must not be copied, reproduced or disclosed to any third party without prior written permission. Contravention will be prosecuted.



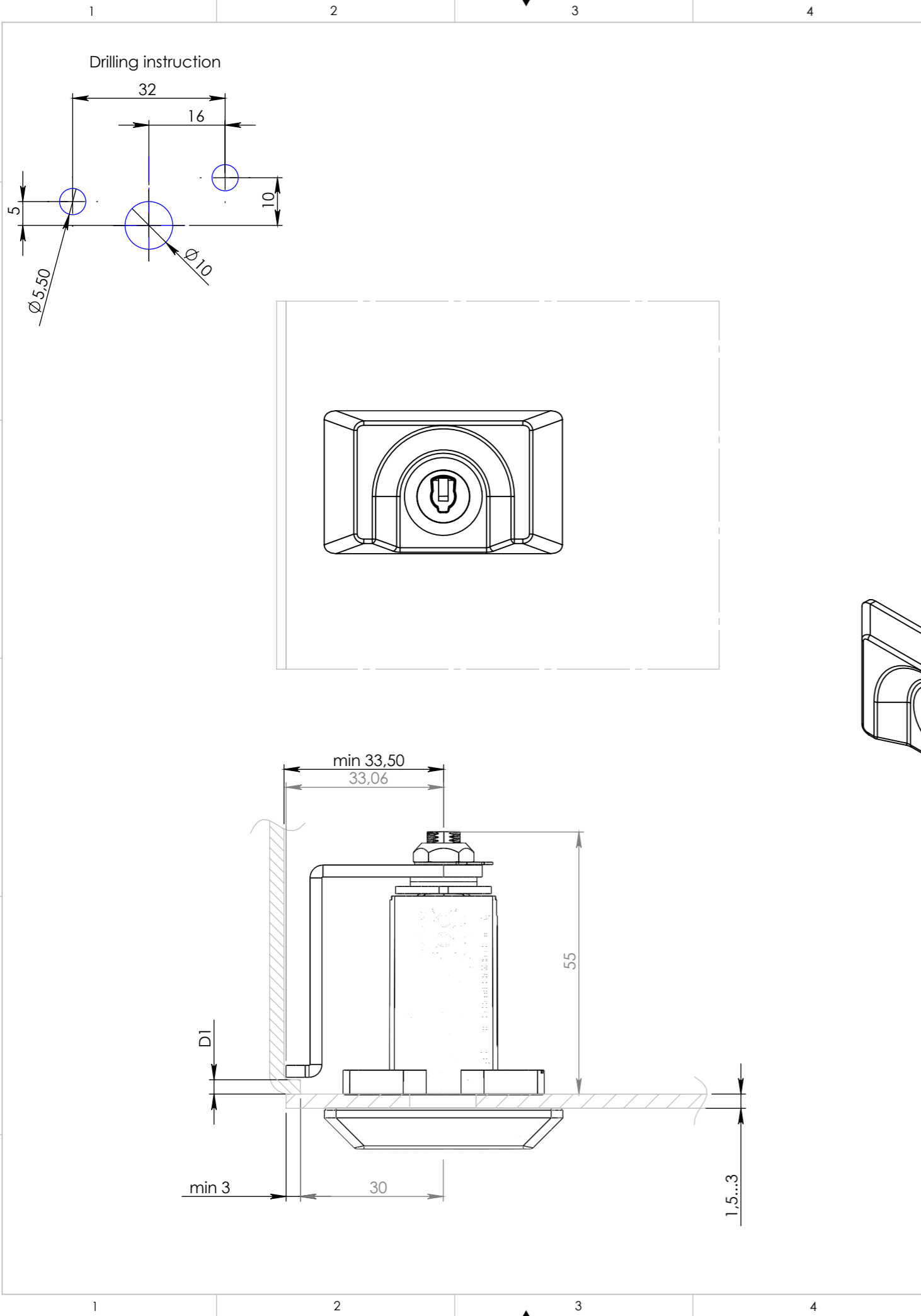
Rev	Description	Date	Desinger
C	Drawing title change. List of parts removed	15.12.2010	arvoma
D	Updated key hole drill size to 10mm	11.12.2012	toivsa
E	Added separate drilling instruction for round & small escutheon	26.11.2013	toivsa



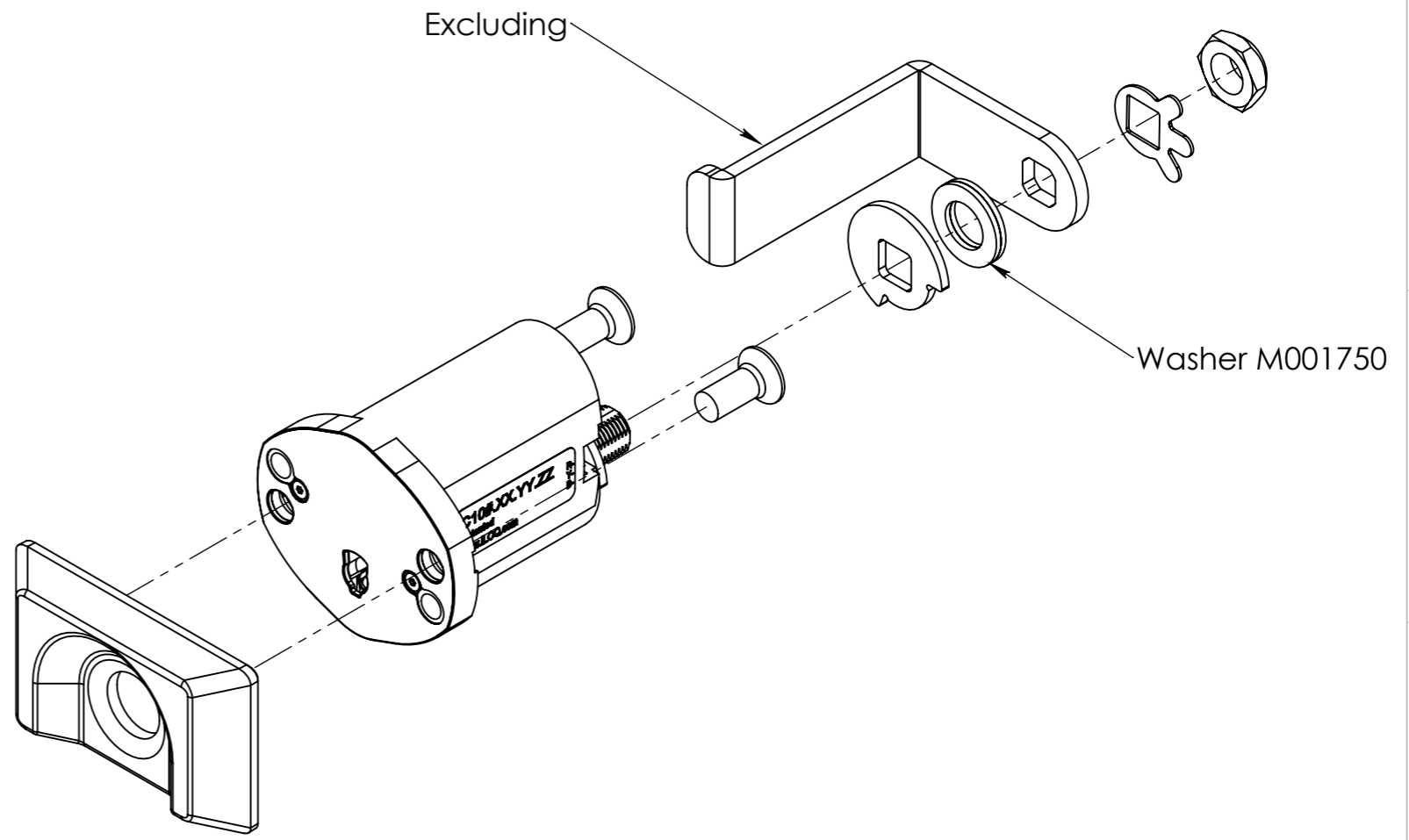
Dim D1 (frame thickness)	Qty of shim washer M001750
<1mm	0
1mm...2mm	1
2mm...3mm	2
3mm...4mm	3

Design: MKe 18.11.2009	Metric: mm	Std. Size:	Tolerance:
Drawn: MKe 18.11.2009		Material:	General tol. acc. ISO2768-
Chec'd:	Size: A3	Finish:	Geometric tol. symbols acc. ISO1101
Appr'd:	Sheet: 1/3	Color, texture:	Surface rough. symbols acc. ISO1302
Product: Cam lock	Title: General installation guide C10S.5/.50		
 All rights reserved. Copyright © 2006 iLOQ Oy http://www.ilooq.com		Metal door, Round Escutcheon	
		Sales code	Drawing number: M001657
			Rev. E

iLoq® and iLoq™ are registered trademarks of iLoq Oy. This document and its contents are the property of iLoq Oy and must not be copied, reproduced or disclosed to any third party without prior written permission. Contravention will be prosecuted.



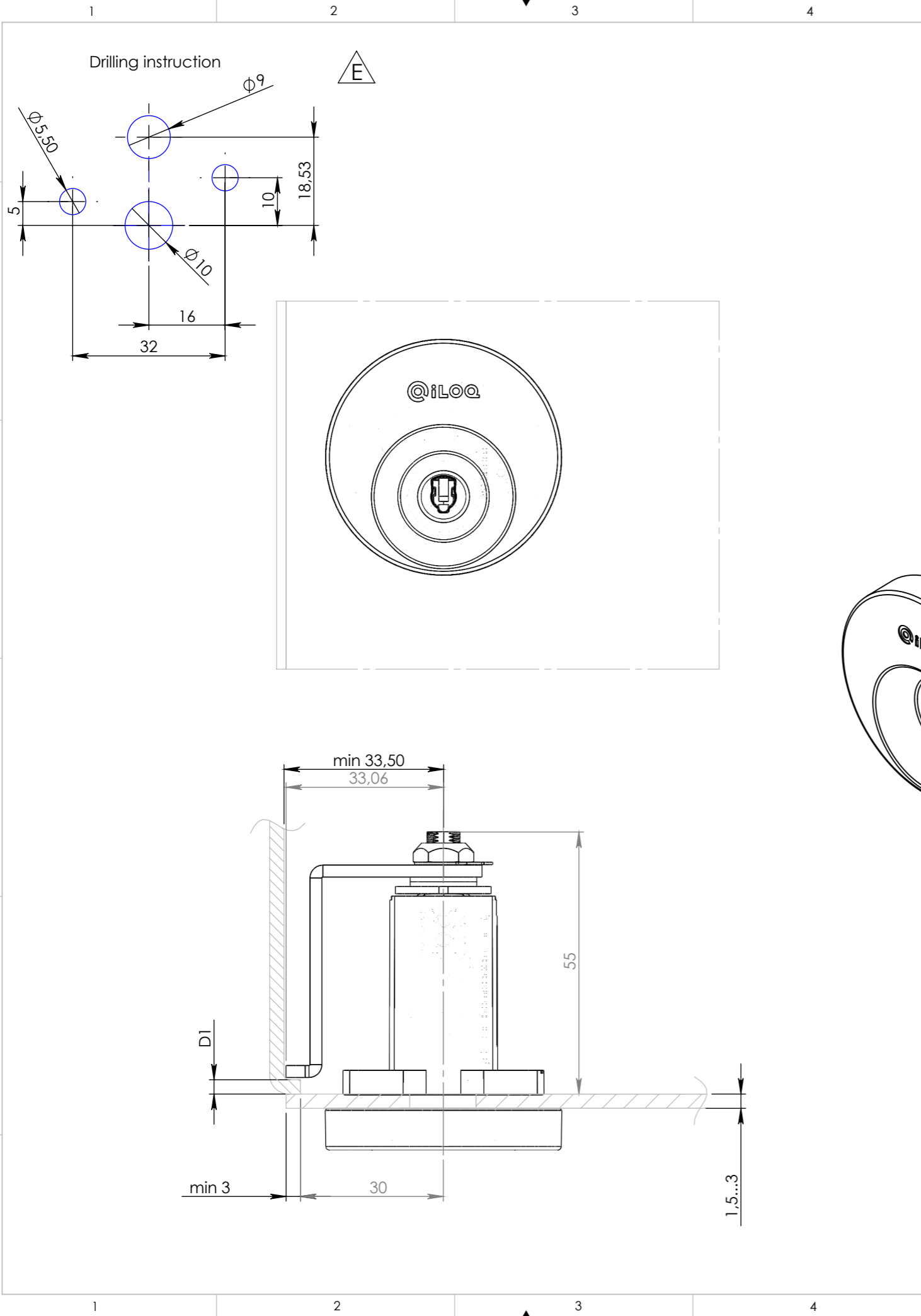
Rev	Description	Date	Designer
-	See Round escutcheon	-	-



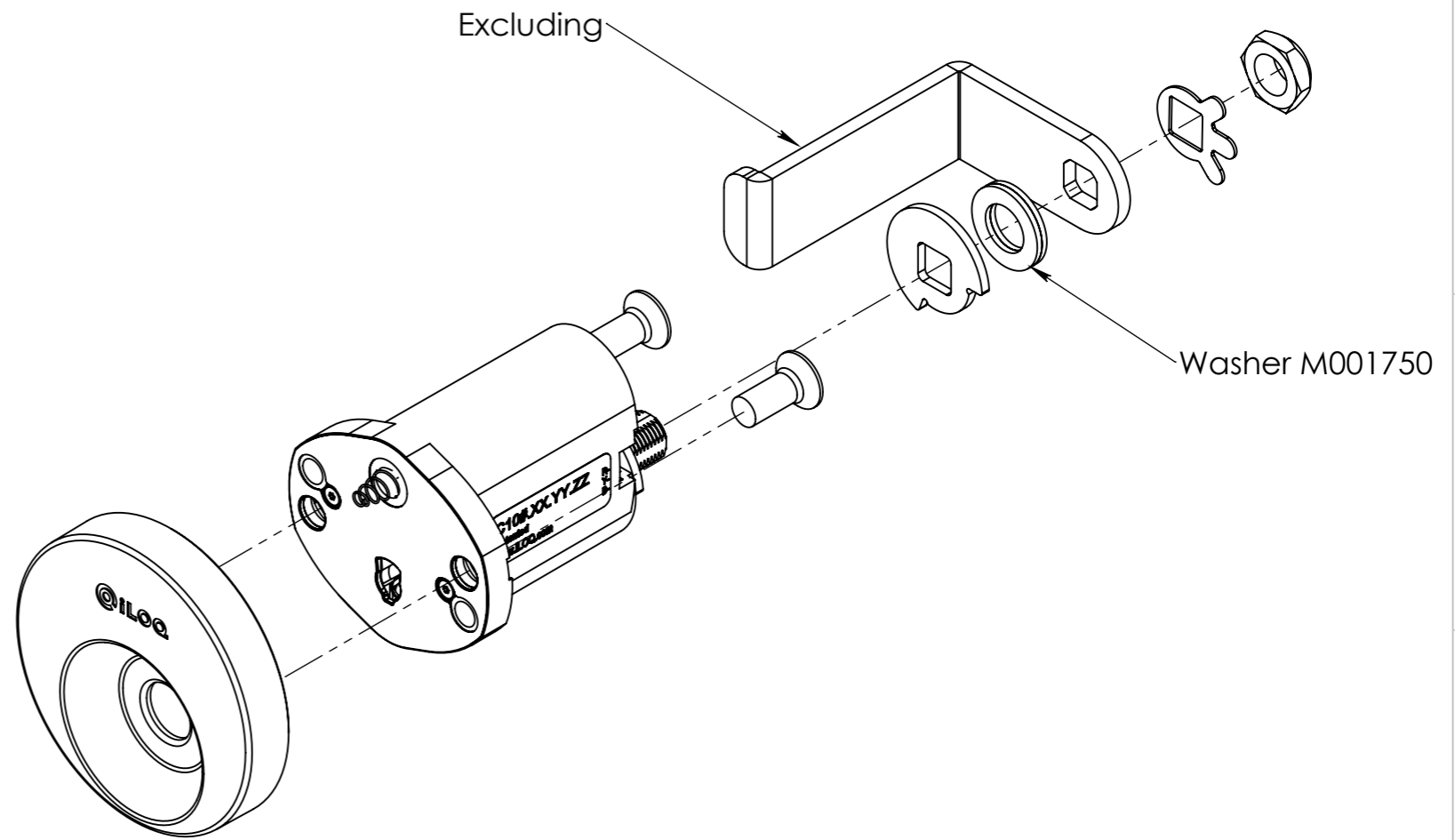
Dim D1 (frame thickness)	Qty of shim washer M001750
<1mm	0
1mm...2mm	1
2mm...3mm	2
3mm...4mm	3

Design: MKe 18.11.2009	Metric: mm	Std. Size:	Tolerance: General tol. acc. ISO2768- Geometric tol. symbols acc. ISO1101 Surface rough. symbols acc. ISO1302
Drawn: MKe 18.11.2009		Material:	
Chec'd:	Size: A3	Finish:	
Appr'd:	Sheet: 2/3	Color, texture:	
Product: Cam lock	Title: General installation guide C10S.5/.50 Metal door, Small Escutcheon		
 All rights reserved. iLOQ Oy Copyright © 2006 http://www.ilooq.com		Sales code	Rev. E
		Drawing number: M001657	

iLoq and iLoq™ are registered trademarks of iLoq Oy. This document and its contents are the property of iLoq Oy and must not be copied, reproduced or disclosed to any third party without prior written permission. Contravention will be prosecuted.



Rev	Description	Date	Designer
-	See Round escutcheon	-	-



Dim D1 (frame thickness)	Qty of shim washer M001750
<math><1\text{mm}</math>	0
1mm...2mm	1
2mm...3mm	2
3mm...4mm	3

Design: ST0 26.11.2013	Metric: mm	Std. Size:	Tolerance: General tol. acc. ISO2768- Geometric tol. symbols acc. ISO1101 Surface rough. symbols acc. ISO1302
Drawn: ST0 26.11.2013		Material:	
Chec'd:	Size: A3	Finish:	
Appr'd:	Sheet: 3/3	Color, texture:	
Product: Cam lock	Title: General installation guide C10S.6/.60 Metal door, Round RTC Escutcheon		
 All rights reserved. Copyright © 2006 iLOQ Oy http://www.ilooq.com		Sales code	Rev. E
		Drawing number: M001657	