

iLOQ S50 PADLOCK

H50S.531.27 (H50S.531.50, H50S.541.27, H50S.541.50)

General

The patented, award winning iLOQ S50 locking system offers advanced security and convenient access sharing capabilities for master-key locking environments.

The iLOQ H50S padlocks enable usage of the iLOQ S50 locking system for securing remote objects and locations. The lock harvests electricity wirelessly from NFC field, which enables using phone not only as a key but also as a power source thus the padlock is completely battery free. As no batteries are required, the padlocks are maintenance free and environmentally friendly green solution that eliminates work, costs, waste and harm associated with battery powered solutions.

The padlock doesn't have a keyway due to the contactless NFC operation. It is designed to be used in harsh environments where the padlocks are exposed to dust, moisture and varying temperature conditions ranging from extremely cold to hot weather.

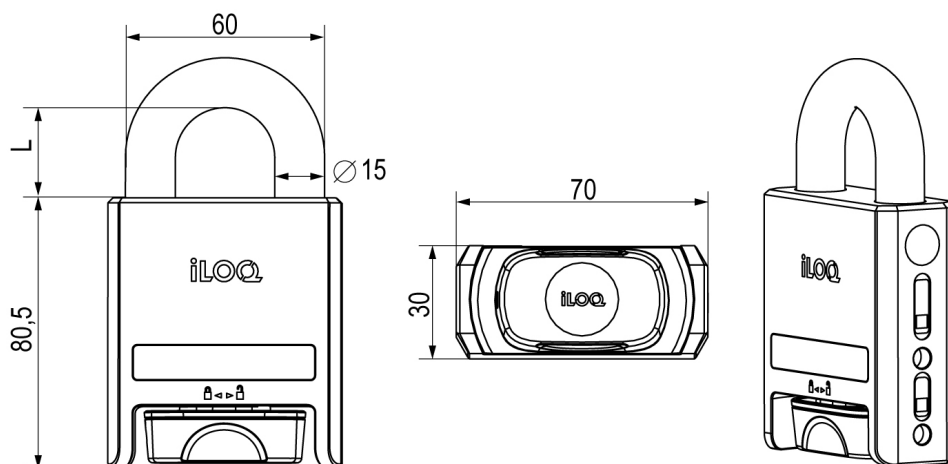
The phone as a key enables flexible access sharing with time restrictions and audit trail reporting over the air. The security level is kept high and security gaps caused by lost key can be eliminated completely without costly change of locks and keys.

H50S.531 / 541 Padlock in brief

- Battery-free programmable electromechanical padlock for the iLOQ S50 locking system
- Available in two different shackle lengths (27mm/50mm)
- NFC-powered: no batteries required for the padlock
- Opening with NFC enabled smartphone* or iLOQ K55S Key Fob
- Secured using powerful AES256 encryption and mutual authentication
- Initial programming with PC and iLOQ P55S.1 Programming Token in connection to the server
- Access right list for access groups
- Blocklist for individual lost keys
- Internal audit trail record with time stamp (can be configured on/off)
- Supports time restrictions
- Can be configured to require online opening authentication
- Re-programming with keys (NFC enabled smartphone* or K55S Key Fob)
- Firmware updateable
- H50S.531: opening and closing with user credential
- H50S.541: opening with and closing without user credential
- Knob protected against impacts (e.g. fall)

*Android App available, iOS App Q1/2020

Product versions



H50S.531.27.HC.....	Padlock with 15/27 mm shackle (L=27mm)
H50S.531.50.HC.....	Padlock with 15/50 mm shackle (L=50mm)
H50S.531.27C.HC.....	Padlock with 15/27 mm shackle (L=27mm), incl. 500 mm chain
H50S.531.50C.HC.....	Padlock with 15/50 mm shackle (L=50mm), incl. 500 mm chain
H50S.541.27.HC.....	Padlock with 15/27mm shackle (L=27mm)
H50S.541.50.HC.....	Padlock with 15/50mm shackle (L=50mm)
H50S.541.27C.HC.....	Padlock with 15/27mm shackle (L=27mm), incl. 500 mm chain
H50S.541.50C.HC.....	Padlock with 15/50mm shackle (L=50mm), incl. 500 mm chain

Memory capacity

Number of access rights	210
Number of blocklisted keys	500 (per zone)
Number of time profiles	10
Event log.....	At least 500 latest events with time stamp

Technical data

Lock body.....	Hardened steel, chromed finish
Shackle.....	Hardened steel, chromed finish
Corrosion resistance	96h salt spray
Temperature range.....	-40°C to +80°C
Ingress protection rating	IP68
Attack resistance EN16864:2017	Grade 5*
Degrees of protection IEC 62232:2013	IK10*

*Certification under preparation