

## iLOQ C5S.5, C5S.50, C5S.6 AND C5S.60 CAM LOCK CYLINDER

### General

The iLOQ S5 locking system offers advanced security and convenient access management for master-key locking environments.

The iLOQ cam lock has been developed to control and monitor access to objects like medicine cabinets, lockers and furniture. The unique self-powered iLOQ C5S lock cylinder is powered by harvesting electricity generated by inserting the iLOQ K5S key. Being self-powered, the iLOQ C5S cylinder eliminates work, costs, waste and harm associated with battery-powered or cabled solutions. As no batteries or electric wiring are required, the cylinders and keys are easy to install and maintain, and it is an environmentally friendly 'green' solution. The communication between the cylinder and key is strongly encrypted using standardized powerful encryption methods. The mechanically identical shape of the iLOQ C5S cylinders enables flexible stocking and fast delivery. Mechanical and electronic strength are compliant with international standards.

The cylinder is programmed using a computer and iLOQ Programming key. The access rights of a key are erased upon return. The access rights to a cylinder can also be erased, and both may be reused, for instance in another locking system. An electronic key cannot be duplicated, and access rights to lost keys are easily blocked using a Programming key or another iLOQ S5 key via the D2D network. This maintains a high level of security and ensures a long lifecycle for the security solution. The cylinder records audit trail events.

---

### iLOQ C5S.5, C5S.50, C5S.6 and C5S.60 cam lock cylinders in brief

- Programmable electromechanic lock cylinder for the iLOQ S5 locking system
- Self-powered: no batteries or external energy source required for the lock and key, and no need for cabling
- Lock acts as an individual part of the sophisticated iLOQ device to device (D2D) network
- All iLOQ C5S lock cylinders and iLOQ K5S keys are mechanically alike
- Secured using powerful encryption methods; 256-bit AES (Advanced Encryption Standard)
- Programmed using a PC and the iLOQ P55S.1 Programming Key
- Easy to install, optional installation sets available
- Standard 7x7mm cam shank
- Blocklist for individual lost keys
- Access group list for key accesses
- Firmware updateable

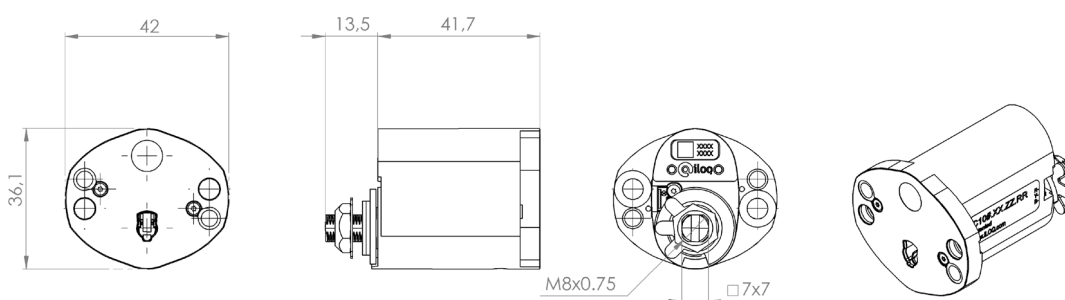
## Product versions

C5S.5.....	Cam lock cylinder for outdoor use
C5S.50.....	Cam lock for indoor use

C5S.5/50 cam lock cylinders exclude front plate. Different front plates, installation sets and bolts are available according to the installation environment.

The cam lock cylinders are equipped with a connector enabling:

- Connection to the iLOQ S5 Online system for remote management.
- Controlling of conditional access right by external input.
- Connection for real-time clock enabling time restrictions on keys and event log time stamps.



## Product versions

C5S.6.ZM.....	Cam lock cylinder for outdoor use, with real-time clock, Ni/Sa finish (brushed steel look)
C5S.60.ZM.....	Cam lock for indoor use, with real-time clock, Ni/Sa finish (brushed steel look)

C5S.6/60 cam lock cylinders include internal real-time clock placed into the front plate. Different installation sets and bolts are available according to the installation environment.

## Memory capacity

Amount of access areas .....	210
Number of keys on the blocked list .....	500/zone
Amount of time profiles .....	10
Event log.....	at least the 500 most recent events

C5S.5/ C5S.60 cam lock is based on the C5S.1/ C5S.10 lock cylinder.

---

## Technical data of C5S.1

Durability EN15684:2013-01 (Grades 4-6).....	Grade 6, 100 000 cycles (equivalent to 200 000 openings)
Electronic key-related security EN15684:2013-01 (Grades A-F) .....	Grade F (1 000 000 combinations, protected communication)
Temperature range C5S.1 .....	-35 °C...+70 °C
Temperature range C5S.10.....	-10 °C...+70 °C*
Optional real-time clock A00.19 .....	10 years operation time Time shifting max +/- 2 seconds per month
Ingress protection rating.....	IP21
Attack resistance EN15684:2013-01 (Grades 0-2).....	Grade 2**
Certifications.....	Finnish FK, class 1** and 3** Swedish SBSC, class 4**

\*C5S.10 only for indoor environments where humidity and temperature are constant

\*\* With appropriate escutcheon