

iLOQ H5S3, H5S4 AND H5S5 PADLOCK

General

iLOQ S5 locking system offers advanced security and convenient access management for master-key locking environments.

The iLOQ S5 padlocks enable usage of the iLOQ S5 locking system for securing remote objects and locations. The self-powered iLOQ padlocks are available in different body and shackle sizes. The iLOQ padlock records audit trails of key usage and enables flexible access management for each key and each padlock. The security level is kept high and security gaps caused by lost keys can be eliminated completely without costly changes of locks and keys. The iLOQ D2D network allows users to update lock-related access rights, time limitations and lists of lost keys as well as collect log event data from the locks.

iLOQ padlocks in brief

- Programmable electromechanic padlock for iLOQ S5 locking system
- Self-powered: no batteries or external energy source required for the lock and key
- Lock acts as a part of the iLOQ D2D network
- All iLOQ S5 padlocks and iLOQ S5 keys are mechanically identical
- Secured using powerful encryption methods: 256-bit AES (Advanced Encryption Standard)
- Programmed using a PC and the iLOQ P55.1 Programming Key
- Blocklist for individual lost keys
- Access group list for key accesses
- Firmware updateable

Memory capacity

Amount of access areas.....	210
Number of keys on the blocked list.....	500/zone
Amount of time profiles.....	10
Event log	at least the 500 most recent events

Padlock cylinder is based on the C5S.1/10 lock cylinder.

Technical data of C5S.1/C5S.10

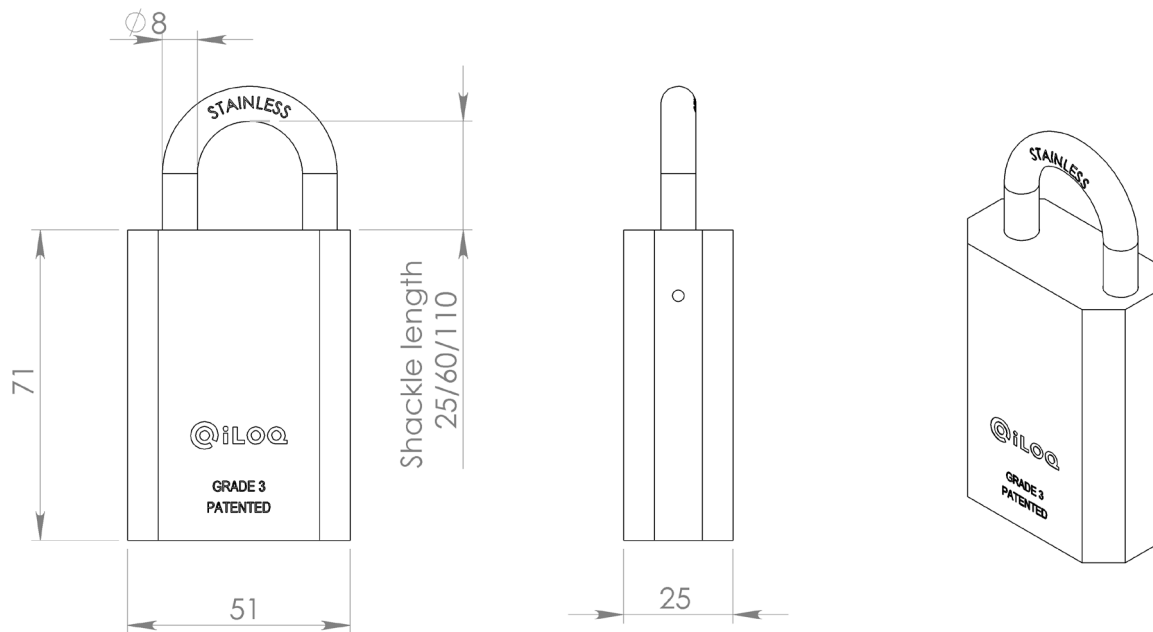
Durability EN15684:2013-01 (Grades 4-6)	Grade 6, 100 000 cycles (equivalent to 200 000 openings)
Electronic key-related security EN15684:2013-01 (Grades A-F)	Grade F (1 000 000 combinations, protected communication)
Temperature range C5S.1	-35 °C...+70 °C
Temperature range C5S.10	-10 °C...+70 °C*
Optional real-time clock.....	10 years operation time Time shifting max +/- 2 seconds per month
Ingress protection rating.....	IP21
Attack resistance EN15684:2013-01 (Grades 0-2)	Grade 2**
Certifications.....	Finnish FK, class 1** and 3** Swedish SBSC, class 4**

*C5S.10 only for indoor environments where humidity and temperature are constant

** With appropriate escutcheon

Product versions H5S3

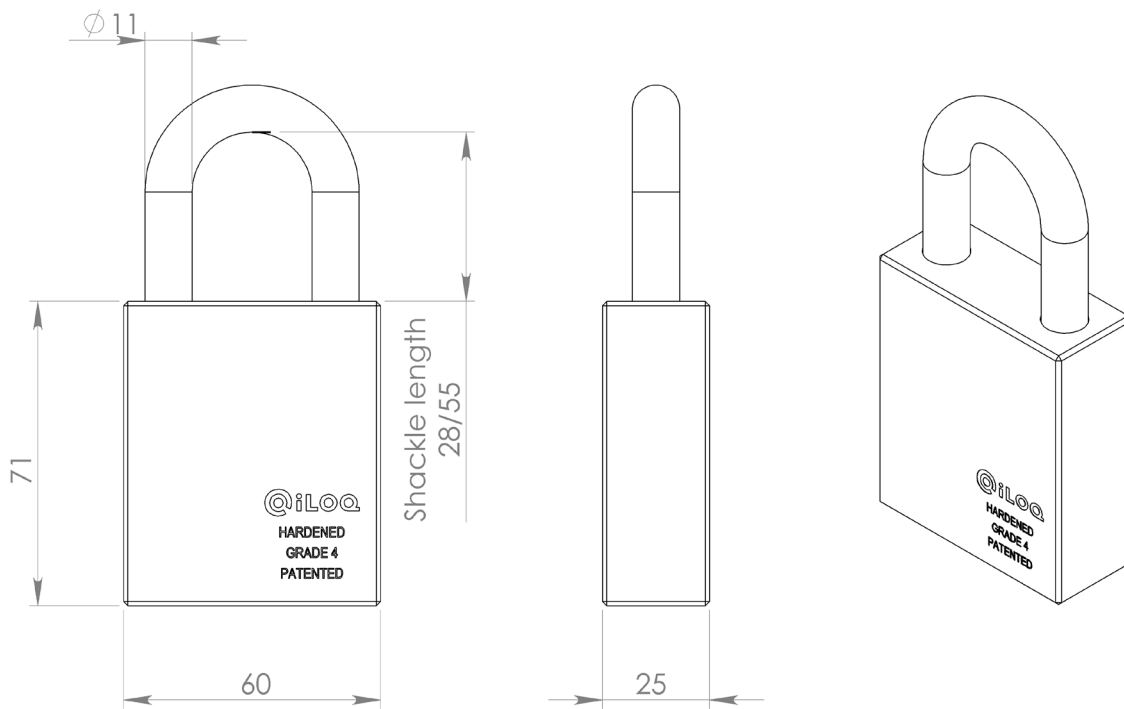
The iLOQ padlock consists of standard iLOQ C5S.1 or C5S.10 lock cylinder which is inserted into EN 12320 Grade 3 padlock case.



H5S3.1	Padlock for outdoor use
H5S3.10	Padlock for indoor use
H5S3.1C	Padlock for outdoor use with fixed 50-cm chain
H5S3.10C	Padlock for indoor use with fixed 50-cm chain

Product versions H5S4

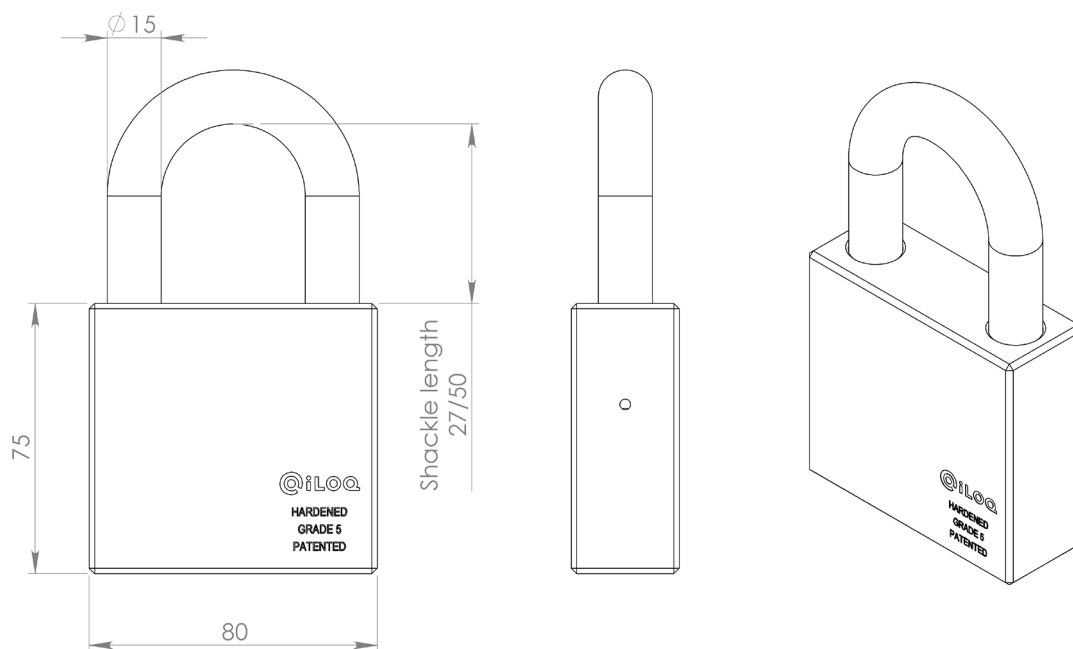
The iLOQ padlock consists of standard iLOQ C5S.1 or C5S.10 lock cylinder which is inserted into EN 12320 Grade 4 padlock case.



H5S4.1	Padlock for outdoor use
H5S4.10	Padlock for indoor use
H5S4.1C	Padlock for outdoor use with fixed chain
H5S4.10C	Padlock for indoor use with fixed chain

Product versions H5S5

The iLOQ padlock consists of standard iLOQ C5S.1 lock cylinder which is inserted into EN 12320 Grade 5 padlock case.



H5S5.1	Padlock for outdoor use
H5S5.2	Padlock for outdoor use with real-time clock
H5S5.1C	Padlock for outdoor with 500mm chain
H5S5.2C	Padlock for outdoor use with real-time clock and 500mm chain.
.....	