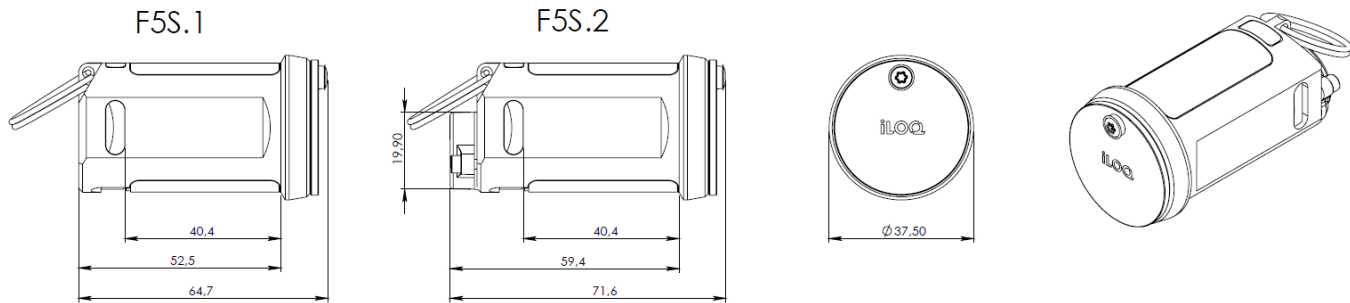


iLOQ KEY-TUBE LOCK F5S.1 (F5S.2)



General

The iLOQ S5 locking system offers advanced security and convenient access management for master-key locking environments.

The iLOQ F5S key-tube lock enables usage of the iLOQ S5 locking system in key-tube applications. Key-tube applications are designed for environments where a third-party organization, like the fire service or a telecommunications company, needs to have access to the premises/buildings using their own key. The key to the premises is placed in wall-mounted key tubes, which the organizations can open using their own key.

The self-powered iLOQ F5S key tube operates in harsh environments. It records an audit trail of the key usage and enables flexible access management for each key and each key tube. The security level is kept high and security gaps caused by lost keys can be eliminated completely without a costly change of locks and keys. The key-tube locks fit into standard 38-mm key tubes.

iLOQ F5S.1 and F5S.2 key-tube locks in brief

- Programmable electromechanic key-tube lock for the iLOQ S5 locking system
- Self-powered: no batteries or external energy source required for the lock and key, and no need for cabling
- Lock acts as an individual part of the sophisticated iLOQ device-to-device (D2D) network
- All iLOQ F5S key-tube locks and iLOQ K5S keys are mechanically identical
- Secured using powerful encryption methods; 256-bit AES (Advanced Encryption Standard)
- Programmed using a PC and the iLOQ P55S.1 Programming Fob
- Fits into standard 38-mm key tubes, and therefore easy to install
- Dust- and rain-protected keyway
- Blocklist for individual lost keys
- Access group list for key accesses
- Firmware updateable

Product versions

F5S.1	Key-tube lock without real-time clock
F5S.2	Key-tube lock with real-time clock

Memory capacity

Amount of access right groups.....	210
Amount of block listed lost keys.....	500 per zone
Time profiles.....	10
Event log	500 latest events

F5S key-tube lock is based on the C5S.1 lock cylinder.

Technical data of C5S.1

Durability EN15684:2013-01 (Grades 4-6).....	Grade 6, 100 000 cycles (equivalent to 200 000 openings)
Electronic key-related security EN15684:2013-01 (Grades A-F)	Grade F (1 000 000 combinations, protected communication)
Temperature range	-35 °C...+70 °C
Optional real-time clock.....	10 years operation time Time shifting max +/- 2 seconds per month
Ingress protection rating.....	IP21
Attack resistance EN15684:2013-01 (Grades 0-2)	Grade 2**
Certifications.....	Finnish FK, class 1** and 3** Swedish SBSC, class 4**

** With appropriate escutcheon

F5S.1 and F5S.2 are approved in class 3 by the Finnish non-life insurers' Federation (FK).