

## **C50S.XXX.SD(.SE) SCANDINAVIAN OVAL AND FINNISH RETROFIT CYLINDER USER GUIDE**

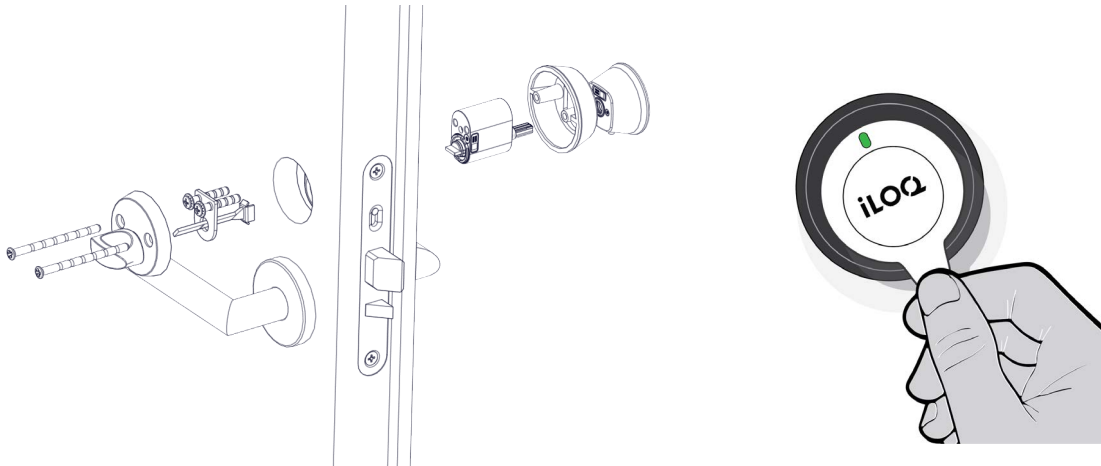
### **Before installing**

1. The instructions should be carefully followed during installation. These instructions and any maintenance instructions should be passed on by the installer to the user.
2. iLOQ C50S cylinders must be installed and used carefully without excessive force.
3. The product should not be modified in any way except in accordance with the modifications described in these instructions.
4. Where the C50S cylinder is manufactured in more than one size it is critical that the correct size is selected.
5. Care should be taken to ensure that any seals or weather-stripping fitted to the complete door assembly, does not inhibit the correct operations of C50S cylinder.
6. Care should be taken to ensure that no projection of the C50S cylinder and associated parts, can prevent the door swinging freely.
7. All components necessary for the specific installation should be fitted in order to ensure compliance with EN15684 standard.
8. Before fitting C50S cylinder to a fire/smoke resisting door, the fire certification should be examined, to ensure conformity.

### **Care**

The product is designed to be maintenance-free. It doesn't require any regular maintenance.

## Installation of iLOQ C50S.1xx/2xx series

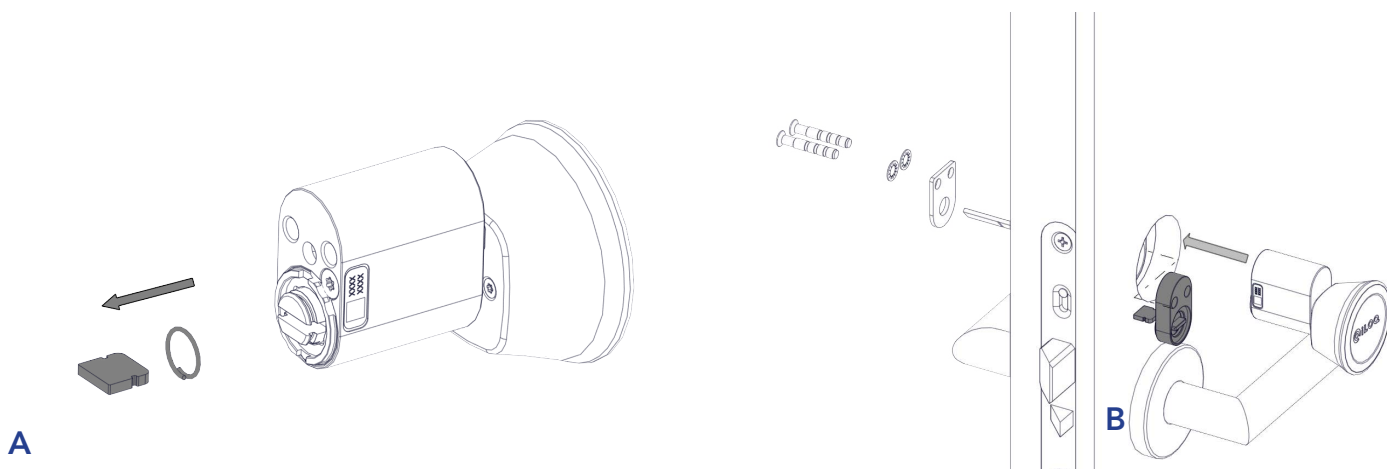


Installation example:  
C50S.120.SD in wooden door

1. Ensure that the fixing screws enter the cylinder at a depth of at least 5mm. The length of the fixing screws depends on the thickness of the used lock case and possible accessories installed between the lock case and the cylinder. If necessary, cut the screws. Attention: If the lock case needs a tail piece to be left in a horizontal position, use the iLOQ AC50.1 accessory with the cylinder. See chapter 4 for details.
2. Adjust the knob to the desired distance from the cylinder body, so that, for example, high-security escutcheons can fit in between. Cylinder versions with a long reader (C50S.X2X.SD) can be adjusted by a maximum of 4 mm and cylinder versions with a short reader (C50S.X1X.SD) can be adjusted by a maximum of 2 mm.
3. Test the cylinder functionality after installation to ensure that it doesn't prevent the lock case from working properly. iLOQ S50 lock cylinders feature an automatic reset back to a locked state. It is therefore necessary to perform the following test:
  - Open the cylinder with a valid key
  - Turn the reader knob to a full right/left lock position for 15 seconds until the cylinder automatic resets. Release the reader knob to ensure that it is not preventing lock-case functionality.
4. If the test fails (for example, the lock case gets stuck in an open position), you will need to adjust the tail plug. See chapter 6 for instructions on how to adjust the tail plug.

## Installation with oval/finnish retrofit cylinder centering piece

If the lock case requires a tail piece to be left in a horizontal position, use the iLOQ AC50.1 accessory with the cylinder.



A. Remove the tail piece from the tail plug

B. Connect the removed tail piece to the AC50 cylinder centering piece and install the cylinder centering piece between the lock case and the lock cylinder.

C. Complete the assembly as shown in chapter 3.

---

## Knob distance adjustment/knob change

### Knob distance adjustment

It is possible to adjust the knob distance in the following Scandinavian lock cylinder models:

Adjustability: 2 mm in total with two fixing points

- C50S.110.SD Oval cylinder with a short reader
- C50S.110.SD.SE Oval cylinder with a Swedish tail piece and short reader
- C50S.210.SD Finnish retrofit cylinder with a short reader

Adjustability: 4 mm in total with three fixing points

- C50S.120.SD Oval cylinder with a long adjustable reader
- C50S.120.SD.SE Oval cylinder with a Swedish tail piece and long adjustable reader
- C50S.220.SD Finnish retrofit cylinder with a long adjustable reader

A. Loosen the screw so that the knob can be moved.

B. Adjust the knob to the right distance and tighten the screw. Use a tightening torque of 1.5 Nm. The screw will find its way into the nearest screw hole and fix the knob in position.

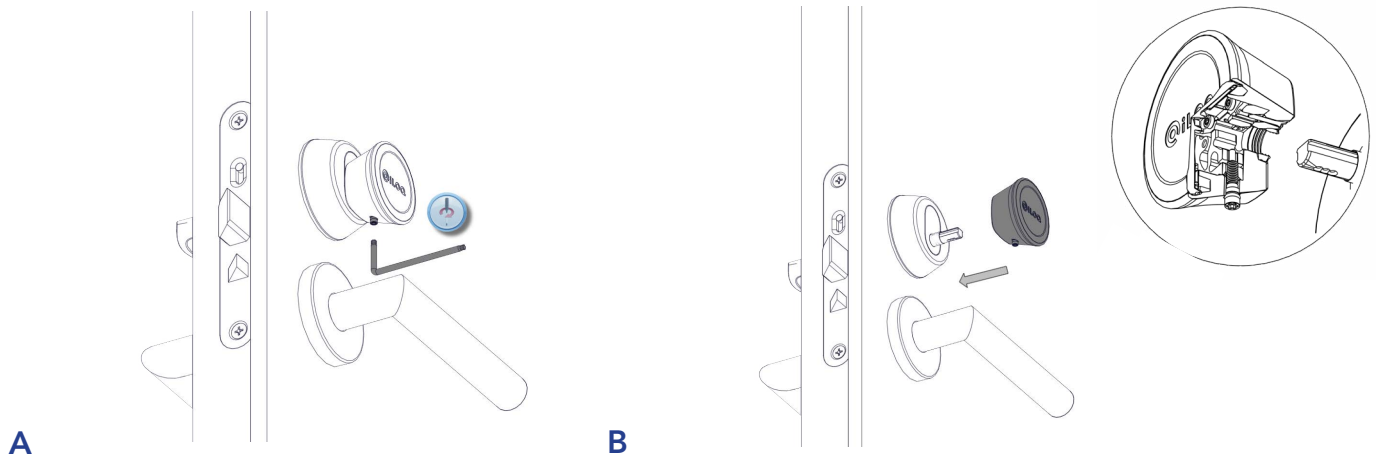
## Knob change

If necessary, use the following instructions to change or replace the old knob.

A. Loosen the screw so that the knob can be removed.

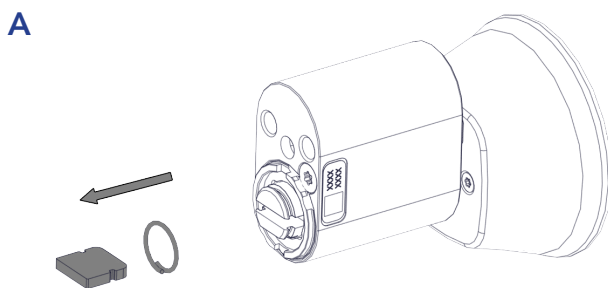
B. Insert and adjust the new knob to the right distance and tighten the screw.

Use a tightening torque of 1.5 Nm. The screw will find its way into the nearest screw hole and fix the knob in position.

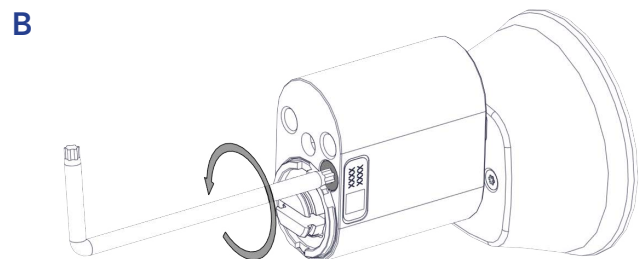


## Tail-plug adjustment

With some lock cases, the tail plug might need to be adjusted. Use the following instructions to correctly adjust the tail plug.



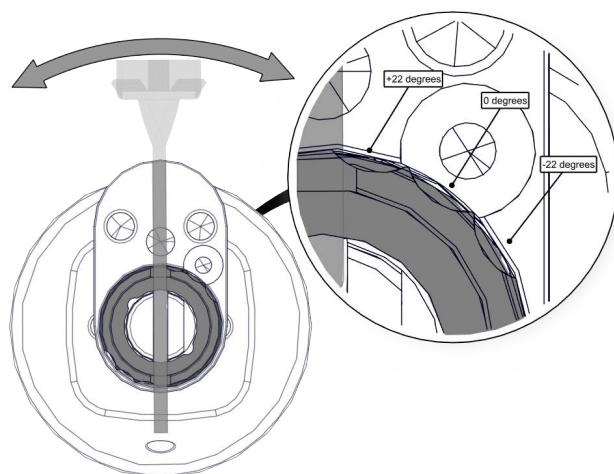
A. Remove the tail piece and the holding spring. Be careful when removing the spring.



B. Loosen the tail plug fixing TORX10 screw by turning it carefully to the left.



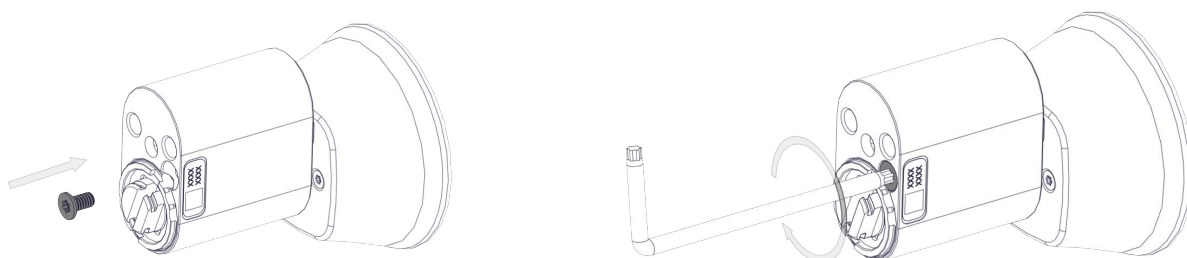
C. Remove the fixing screw. The tail plug can now be adjusted.



**D**

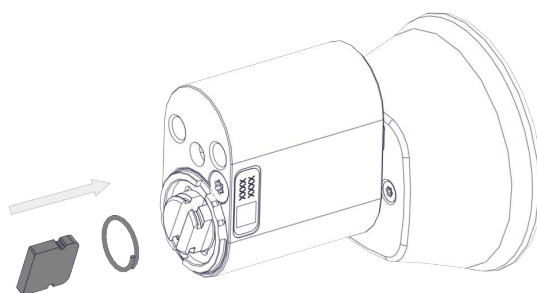
D. Adjust the tail plug by turning it with a suitable tool (for example, a spindle, flat-head screwdriver, etc.). Try first to adjust the tail plug counter-clockwise by +22 degrees.

**E**



E. After adjustment, tighten the TORX10 screw again.

**F**



F. Install the holding spring and tail piece.

G. Complete the installation and repeat the test described in chapter 3.3.

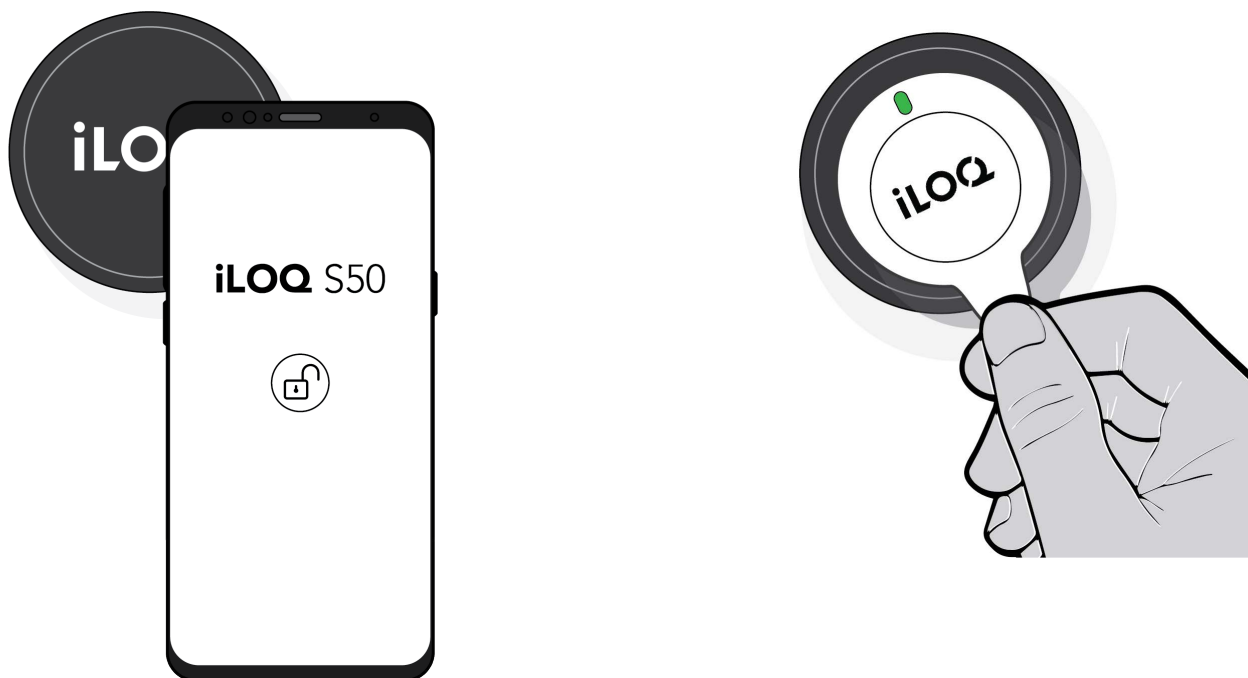
H. If the lock case still gets stuck, repeat these instructions and turn the tail plug clockwise by -22 degrees.

## Instructions for use

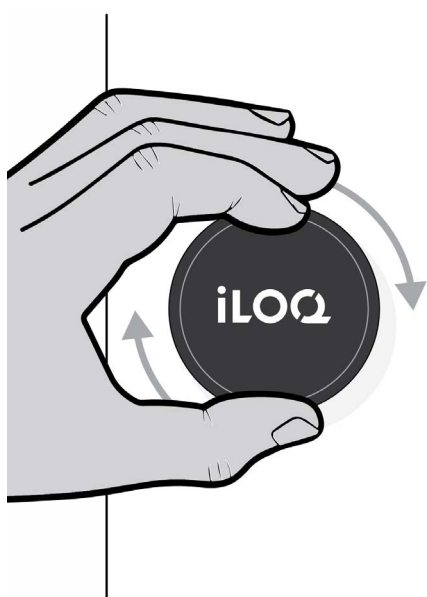
1. Hold a valid key against the lock-reader knob and wait until the key shows a green light.

Please note: Due to the large variety of Android phone models and operating system versions, iLOQ cannot guarantee that all NFC-enabled Android phones will work seamlessly with our locks.

Before using the locks, please check where the NFC antenna is located in your phone so that you know the best position to hold the phone against the lock-reader knob.



2. Turn the lock-reader knob to unlock the door.



3. Open the door.