

## H50S.310.25 (H50S.310.60, H50S.310.110) PADLOCK

### General

The patented, award winning iLOQ S50 locking system offers advanced security and convenient access sharing capabilities for master-key locking environments.

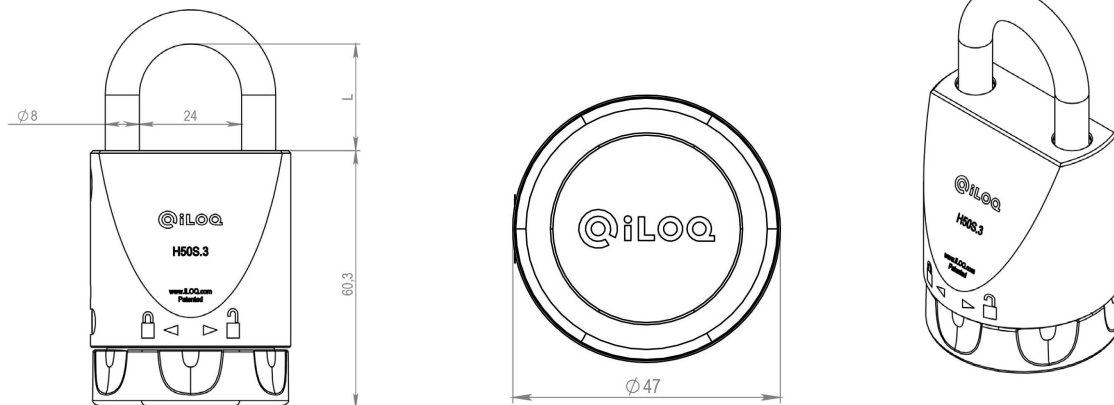
The iLOQ H50S padlocks enable usage of the iLOQ S50 locking system for securing remote objects and locations. The lock harvests electricity wirelessly from NFC field, which enables using phone not only as a key but also as a power source thus the lock is completely battery free. As no batteries are required, the locks are maintenance free and environmentally friendly green solution that eliminates work, costs, waste and harm associated with battery powered solutions.

The lock doesn't have a keyway due to the contactless NFC operation. It is designed to be used in harsh environments where the locks are exposed to dust, moisture and varying temperature conditions ranging from extremely cold to hot weather. The phone as a key enables flexible access sharing with time restrictions and audit trail reporting over the air. The security level is kept high and security gaps caused by lost key can be eliminated completely without costly change of locks and keys.

---

### H50S.3 Padlock in brief

- Battery-free programmable electromechanical padlock for iLOQ S50 locking system
- Available in three different shackle lengths (25mm/60mm/110mm)
- NFC-powered: no batteries required for the lock
- Opening with NFC enabled Android-smartphone or iLOQ K50S Key Fob
- Secured using powerful AES256 encryption and mutual authentication
- Initial programming with PC and iLOQ P50S.1 Programming Token in connection to server
- Access right list for access groups
- Blacklist for individual lost keys
- Internal audit trail record with time stamp (can be configured on/off)
- Supports time restrictions
- Can be configured to require online opening authentication
- Re-programming with keys (Android phone or K50S Key Fob)
- Firmware updateable



H50S.310.25.SD.....	Padlock with 8/25mm shackle (L=25mm)
H50S.310.60.SD.....	Padlock with 8/60mm shackle (L=60mm)
H50S.310.110.SD.....	Padlock with 8/110mm shackle (L=110mm)

---

## Memory capacity

Number of access rights .....	210
Number of blacklisted keys .....	2000
Number of time profiles .....	10
Event log .....	At least 500 with time stamp

---

## Technical data

Lock body.....	Stainless steel, satin finish
Shackle.....	Stainless steel
Corrosion resistance.....	240h salt spray
Temperature range.....	-40°C to +80°C
Ingress protection rating .....	IP68