

iLOQ F50 KEYSAFE LOCK CYLINDER, AUTO-LOCK

F50S.211.HZ, F50S.221.HZ, F50S.311.HZ, F50S.321.HZ, F50S.411.HZ, F50S.421.HZ, F50S.511.HZ, F50S.521.HZ

General

The patented, award winning iLOQ S50 locking system offers advanced security and convenient access sharing capabilities for master-key locking environments.

The iLOQ F50S key safe lock cylinder enables usage of the iLOQ S50 locking system in key safe applications where typically a third-party organization, like fire service or a telecommunication company, needs to have access to the premises/buildings using their own key. The key to the premises is placed in wall mounted key safe tubes, which the organizations can open using their mobile phones as a key.

The lock harvests electricity wirelessly from NFC field, which enables using phone not only as a key but also as a power source thus the lock is completely battery free. As no batteries and no electric wiring are required, the locks are maintenance free and environmentally friendly green solution that eliminates work, costs, waste and harm associated with battery powered or cabled solutions.

The lock doesn't have a keyway due to the contactless NFC operation. It is designed to be used in harsh environments where the locks are exposed to dust, moisture and varying temperature conditions ranging from extremely cold to hot weather.

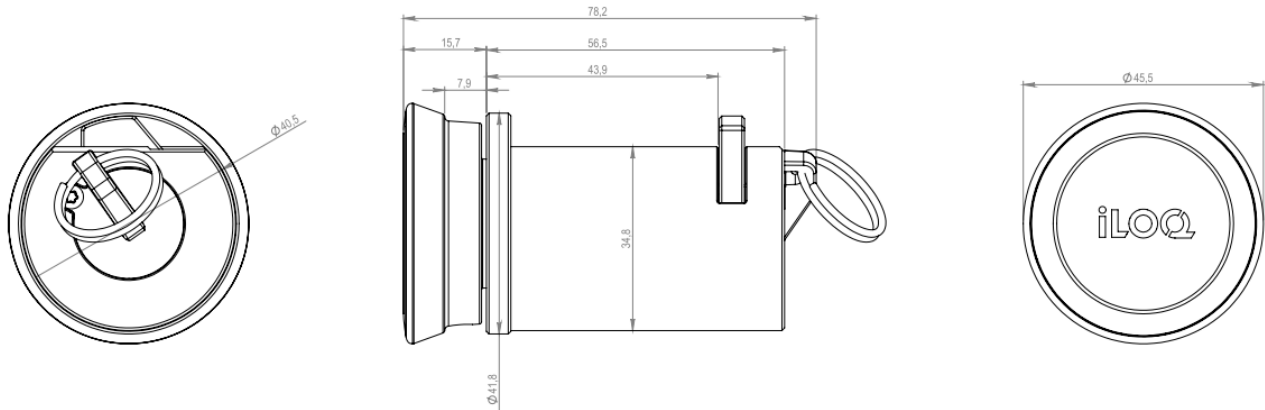
The phone as a key enables flexible access sharing with time restrictions and audit trail reporting over the air. The security level is kept high and security gaps caused by lost key can be eliminated completely without costly change of locks and keys.

F50S.xxx.HZ Keysafe lock cylinder in brief

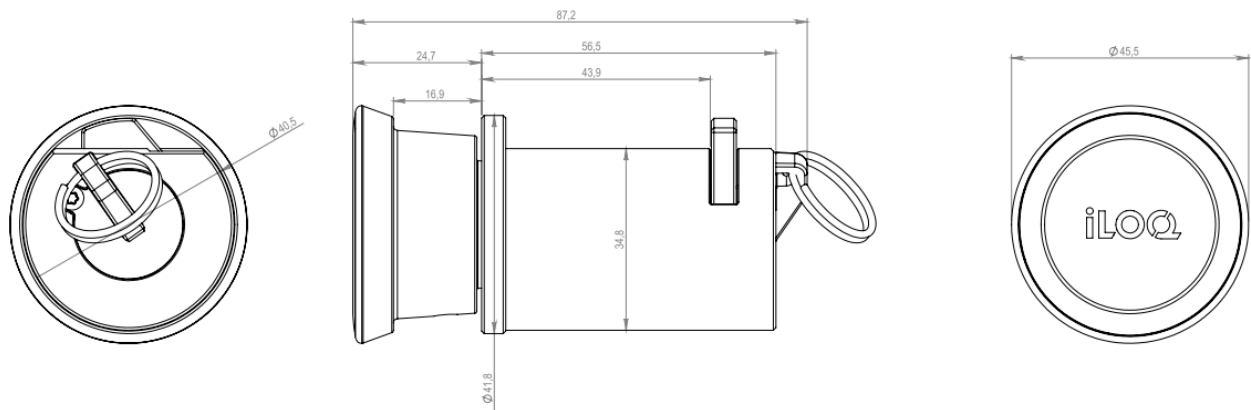
- Battery-free programmable electromechanical key tube lock cylinder for iLOQ S50 locking system
- Several versions available for Scandinavian and Central European markets
- Two different reader knob lengths available
- Auto-locking when put back to the key tube
- NFC-powered: no batteries or external power source required for the lock
- Opening with NFC enabled Android and iOS smartphone or iLOQ K55S Key Fob
- Secured using powerful AES-256 encryption and mutual authentication
- Initial programming with PC and iLOQ P55S.1 Programming key in connection to server
- Access right list for access groups
- Blocklist for individual lost keys
- Internal audit trail record with time stamp (can be configured on/off)
- Supports time restrictions
- Can be configured to require online opening authentication
- Re-programming with keys (Phone key or K55S Key Fob)
- Firmware updateable

Product versions

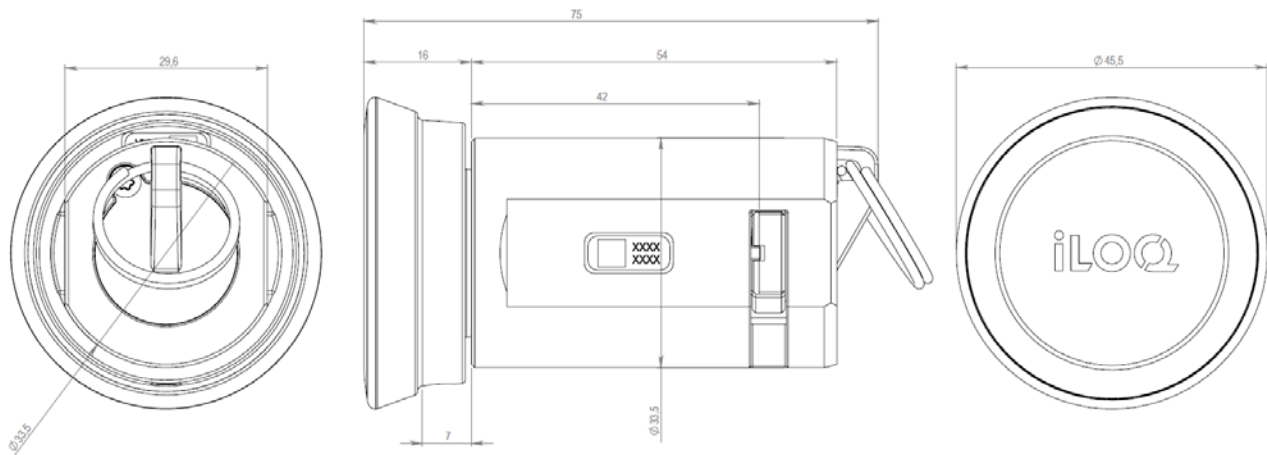
F50S.211



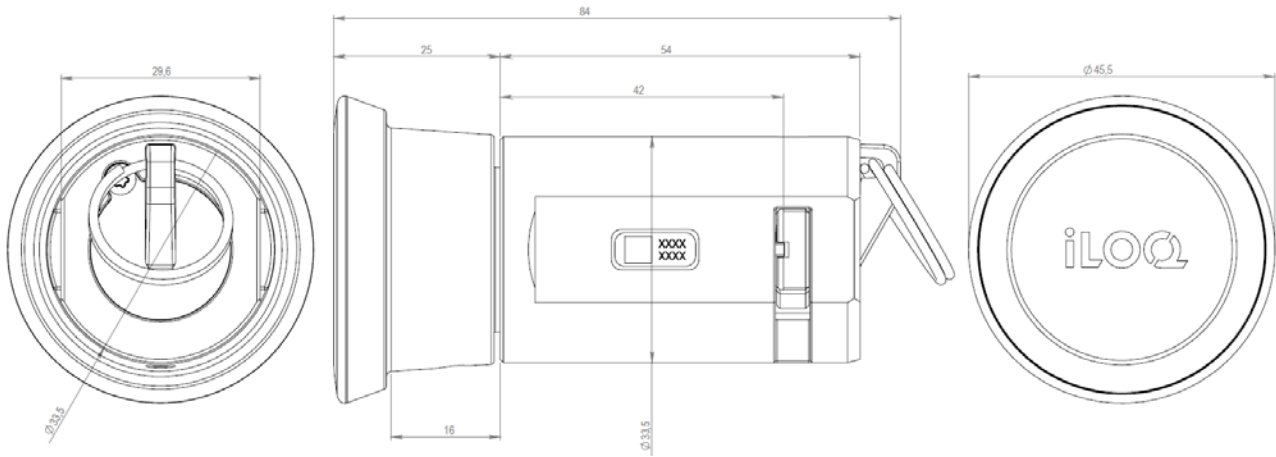
F50S.221



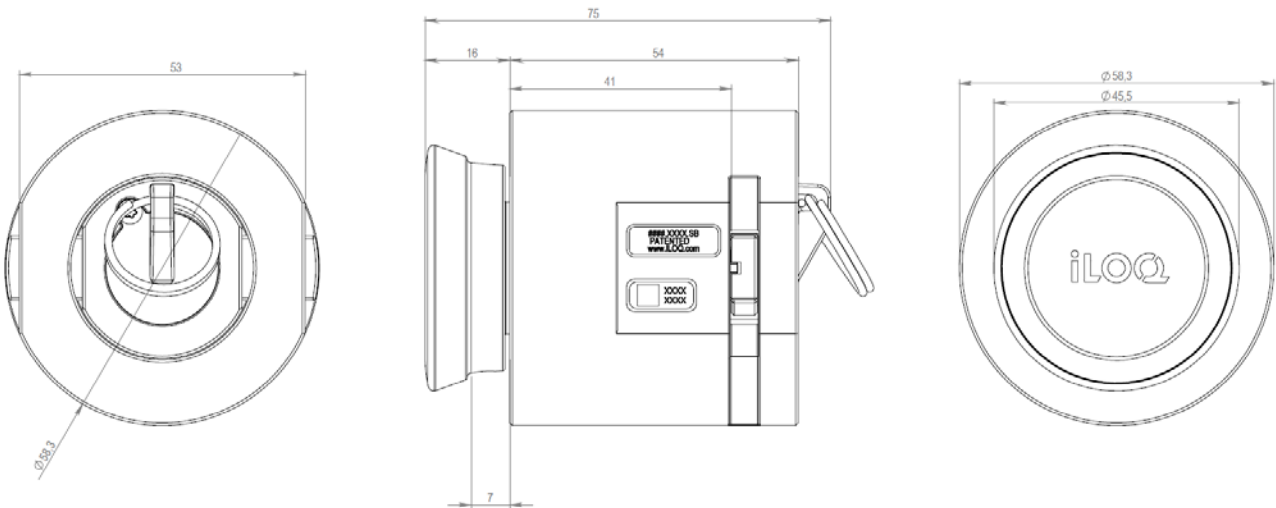
F50S.311



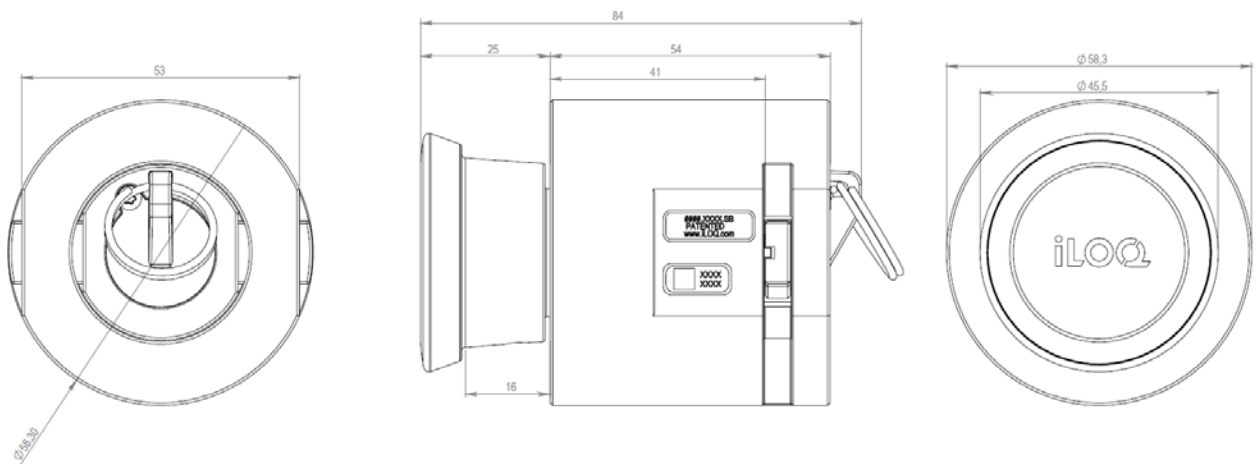
F50S.321



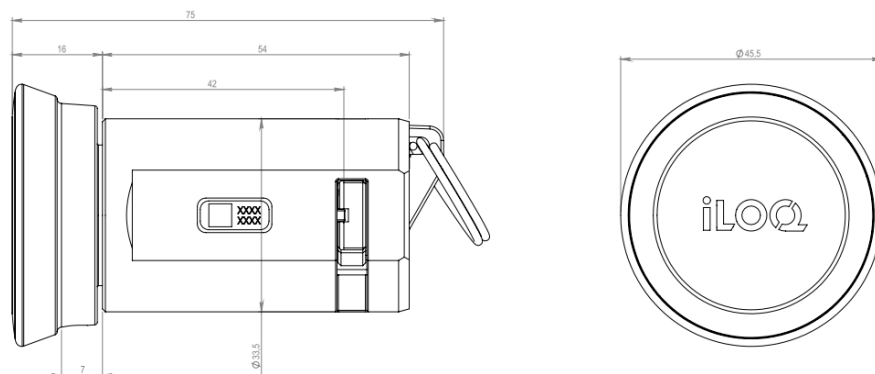
F50S.411



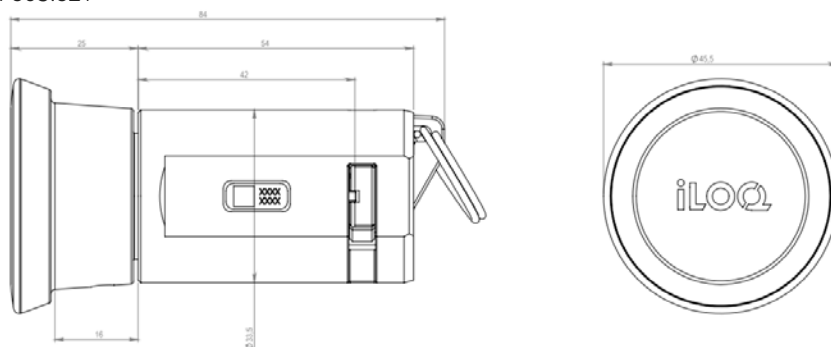
F50S.421



F50S.511



F50S.521



- F50S.211.HZKeysafe lock cylinder with auto-lock, short knob, Swedish (Tube R=45mm)
- F50S.221.HZKeysafe lock cylinder with auto-lock, long knob, Swedish (Tube R=45mm)
- F50S.311.HZKeysafe lock cylinder with auto-lock, short knob, German (Tube R=38mm)
- F50S.321.HZKeysafe lock cylinder with auto-lock, long knob, German, (Tube R=38mm)
- F50S.411.HZKeysafe lock cylinder with auto-lock, short knob (Tube R=65mm)
- F50S.421.HZKeysafe lock cylinder with auto-lock, long knob (Tube R=65mm)
- F50S.511.HZKeysafe lock cylinder with auto-lock, short knob, Finnish (Tube R=38mm)
- F50S.521.HZKeysafe lock cylinder with auto-lock, long knob, Finnish (Tube R=38mm)

Memory capacity

Number of access rights	210
Number of blocklisted keys	500 (per zone)
Number of time profiles	10
Event log	At least 500 latest events with time stamp

Technical data

Lock body	Hardened steel, Zn electrogalvanized finish
Knob	Plastic, Black
Corrosion resistance	96h salt spray
Temperature range	-40°C to +80°C
Ingress protection rating	IP55
Category of use: EN15864:2012	Grade 1*
Durability: EN15864:2012	Grade 6 (100,000 cycles, 200,000 openings)*
Environmental resistance: EN15864:2012	Grade 4*
Electronic key related security: EN15864:2012	Grade F*
System management: EN15864:2012	Grade 3*
Attack resistance EN15864:2012	Grade 2*
Local approvals	SFS 7020 – FA class 3*
.....	SSF 024 – SBSC class 2*

* Certification under preparation