



**F50S.211.HZ / F50S.221.HZ**  
**F50S.311.HZ / F50S.321.HZ**  
**F50S.411.HZ / F50S.421.HZ**  
**F50S.511.HZ / F50S.521.HZ**

**KEY TUBE CYLINDER  
MOUNTING- AND CARE INSTRUCTIONS**

## TABLE OF CONTENTS

<b>1. BEFORE INSTALLATION .....</b>	<b>3</b>
<b>2. AFTER INSTALLATION .....</b>	<b>3</b>
<b>3. CARE.....</b>	<b>3</b>
<b>4. INSTALLATION OF THE F50S .....</b>	<b>4</b>
<b>5. COMPATIBLE KEY TUBES .....</b>	<b>5</b>
<b>6. REPLACING THE READER KNOB .....</b>	<b>5</b>
<b>7. INSTRUCTIONS FOR USE .....</b>	<b>7</b>
<b>8. GENERAL NOTES .....</b>	<b>8</b>
<b>9. DECLARATION OF CONFORMITY .....</b>	<b>8</b>

## 1. BEFORE INSTALLATION

1. The instructions should be carefully followed during installation. These instructions and any maintenance instructions should be passed on by the installer to the user.
2. iLOQ F50S key tube cylinders must be installed and used carefully without excessive force.
3. Do not drop the product.
4. The product should not be modified in any way except in accordance with the modifications described in these instructions.
5. Care should be taken to ensure that any seals or weather-stripping fitted to the complete door assembly, does not inhibit the correct operations of the key tube cylinder.
6. Care should be taken to ensure that no projection of the D50S cylinder and associated parts, can prevent the door swinging freely.
7. No liability is accepted for damage to the doors or components due to incorrect installation.
8. Due to the integrated spring-supported locking bolt the cylinder is self-locking, please use with care. After putting the cylinder completely back to the key tube it is not necessary to turn the knob to lock the key tube.
9. To avoid negative effect when holding the key tube cylinder with the hand, never release the knob. Instead turn the knob carefully back to the neutral position (otherwise the metal bolt can cause injuries etc.).
10. We reserve the right to make modifications or further technical developments without further notice.
11. If there are any deviations from the contents in foreign language versions of the documentation, the English original shall apply in case of doubt.

## 2. AFTER INSTALLATION

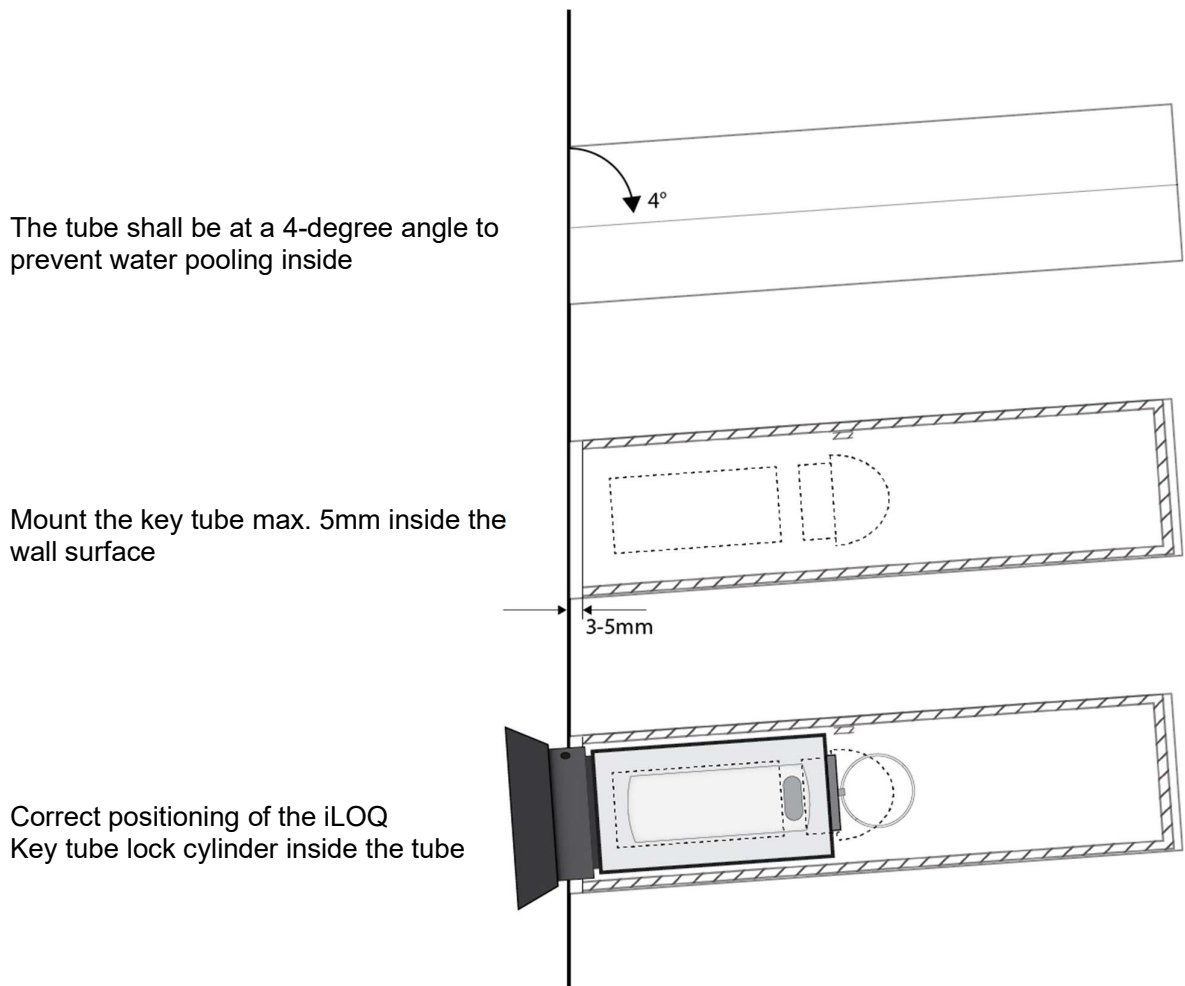
Test the cylinder functionality after installation to ensure that it does not prevent the lock application from working properly.

## 3. CARE

The product is designed to be maintenance-free. It does not require any regular maintenance.

## 4. INSTALLATION OF THE F50S

To conform with FK\* Class 3 requirements, use FK-approved (please note: key tube not included in delivery). Mount the key tube according to the tube manufacturer's instructions. Additionally, pay attention to the instructions below to ensure conformity with the iLOQ Key tube lock cylinder:



In case an existing key tube is mounted too deep inside the wall and the iLOQ Key tube cylinder cannot be placed in the key tube, it is possible to replace it with a version with a longer version. Please refer to the instructions on the next page and the documentation of the key tube manufacturer.

\*) *Finnish non-life insurers' Federation (FK)*

## 5. COMPATIBLE KEY TUBES

The following key tubes should be compatible:

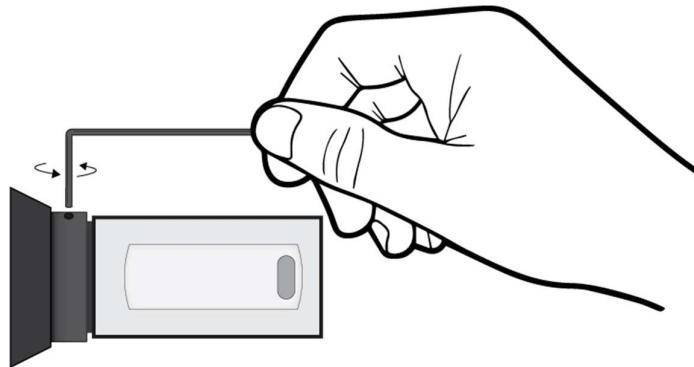
<b>Product:</b>	<b>Diameter:</b>	<b>Key Tube:</b>
F50S.2x1.HZ	45 mm	AssaAbloy 390877-100-055
F50S.3x1.HZ	38 mm	Kruse 530000, 530010, 530002
F50S.4x1.HZ	65 mm	AssaAbloy KD209, KD210
F50S.5x1.HZ	38 mm	AssaAbloy KD201, KD201X, KD205, KD207

Please check upfront if the key tube cylinders are still compatible, or if the key tube manufacturer performed some changes.

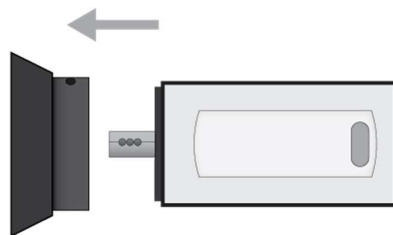
---

## 6. REPLACING THE READER KNOB

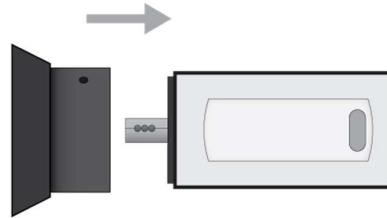
The reader knob may need to be replaced if the length of the original knob is not suitable for the installation environment or the knob is damaged. Follow the instructions below to replace the knob:



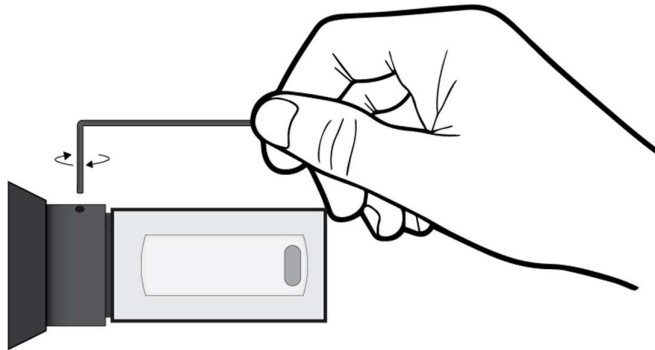
1. Loosen the knob screw by using the TORX 10 tool



2. Pull the knob out from the neck



3. Slide the new knob on the neck so that the screw hole is facing the same direction as the three knob adjustment slots in the neck. **Always slide the knob to the bottom, otherwise the weather protection sealings will not function correctly.**



4. Tighten the screw by using the 1.5 Nm torque. Ensure that the head of the screw goes into the hole completely. A visible cap indicates that the screw is not in the right place

## 7. INSTRUCTIONS FOR USE

1. Hold a valid key against the lock-reader knob and wait until the key shows a green light.

Please note: Due to the large variety of Android phone models and operating system versions, iLOQ cannot guarantee that all NFC-enabled Android phones will work seamlessly with our locks.

Before using the locks, please check the location of the NFC antenna in your phone so that you know the best position to hold the phone against the lock-reader knob.



2. Turn the lock-reader knob to unlock the key tube cylinder.



3. Open the key tube cylinder by pulling it out

## 8. GENERAL NOTES

1. Care should be taken to ensure that any seals or weather-stripping fitted to the complete door assembly, does not inhibit the correct operations of the cylinder.
2. Care should be taken to ensure that no projection of the cylinder and associated parts, can prevent the door swinging freely.
3. All components necessary for the specific installation should be fitted.
4. The key is to be kept securely so that only authorized person may have access.
5. In case of losing a key, blocklisting of the lost key shall be done with the iLOQ Manager software and affected locks shall be reprogrammed.

## 9. DECLARATION OF CONFORMITY

The products mentioned inside this user guide are in conformity with the requirements of the following directives:

- 2014/53/EU Radio Equipment Directive (RED)
- 2011/65/EU Restriction of the use of certain hazardous substances (RoHS)

The conformity was assessed in accordance with RED module A by using the following harmonized and other EN standards:

RED:

Art 3.1(a) Safety	EN 62368-1:2014 (2nd Ed) EN 60065:2014 (8th Ed) EN 60950-1:2005 (2nd Ed) + A1:2019 + A2:2013
Art 3.1(b) EMC EN	EN 301 489-1 v2.2.3 EN 301 489-3 v2.1.1
Art 3.2 Spectrum RoHS	EN 300 330 v2.1.1 EN 50581:2012

Other standards used:  
EN 15684:2020