

C5S.3.SB Cam lock

System-level description

The iLOQ S5 locking system offers advanced security and convenient access management for master-key locking environments.

The iLOQ cam lock has been developed to control and monitor access to objects like medicine cabinets, lockers and furniture.

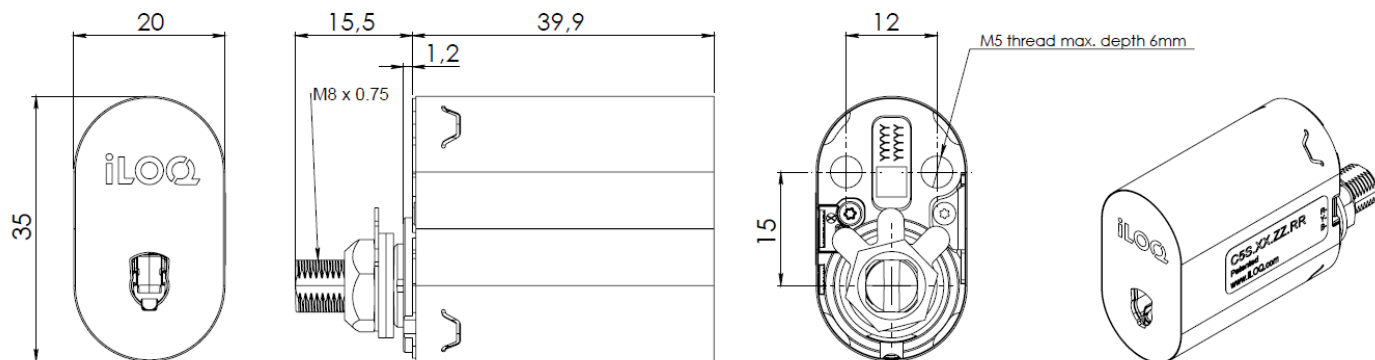
The unique self-powered iLOQ C5S lock cylinder is powered by harvesting electricity generated by inserting an iLOQ K5S key. Being self-powered, the iLOQ C5S cylinder eliminates work, costs, waste and harm associated with battery-powered or cabled solutions. As no batteries or electric wiring are required, the cylinders and keys are easy to install and maintain, and it is an environmentally friendly 'green' solution. The communication between the cylinder and key is strongly encrypted using standardized powerful encryption methods. The mechanically identical shape of the iLOQ C5S cylinders enables flexible stocking and fast delivery. Mechanical and electronic strength are compliant with international standards.

The cylinder is programmed using a computer and an iLOQ Programming Key. The access rights of a key are erased when it is returned. The access rights to a cylinder can also be erased, and both may be reused, for instance in another locking system. An electronic key cannot be duplicated, and access rights to lost keys are easily blocked using a Programming key or another iLOQ S5 key via the D2D network. This maintains a high level of security and ensures a long lifecycle for the security solution. The cylinder records audit trail events.

Feature summary

- Programmable electromechanic lock cylinder for the iLOQ S5 locking system
- Self-powered: no batteries or external energy source required for the lock and key, and no need for cabling
- Lock acts as an individual part of the sophisticated iLOQ device-to-device (D2D) network
- All iLOQ C5S lock cylinders and iLOQ K5S keys are mechanically alike
- Secured using powerful encryption methods; 256-bit AES (Advanced Encryption Standard)
- Programmed using a PC and the iLOQ P55S.1 Programming Fob
- Easy to install, optional installation sets available
- Standard 7x7mm cam shank
- Blocklist for individual lost keys
- Access group list for key accesses
- Connector enabling connection to the iLOQ S5 Online system for remote management
- Connector enabling control of conditional access rights by external input
- Connector for real-time clock enabling time restrictions on keys and event log time stamps
- Firmware updateable

Dimensional drawing



Memory capacity

Number of access rights	210
Number of blocklisted keys	500
Number of time slots	10
Size of event log	500

Technical data

Ingress protection rating	IP21
Oval cylinder frame type	Regular
Real time clock battery lifetime	No batteries
Real time clock compatibility	Not compatible
Remote management with iLOQ Online products	✓
Surface treatment	Brushed steel
Maximum temperature	80°C
Minimum temperature	-40°C
Usage environment	Outdoor