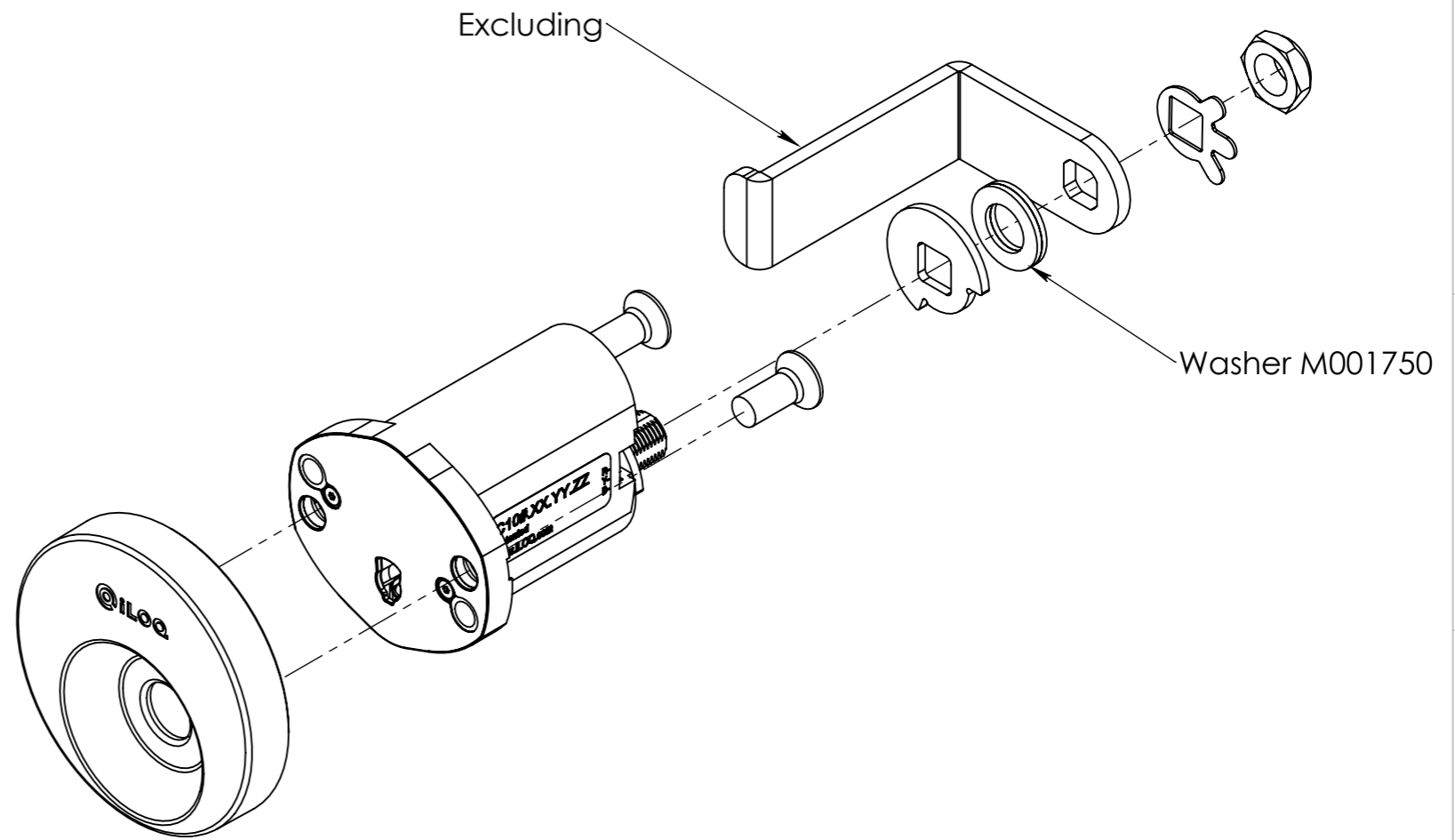
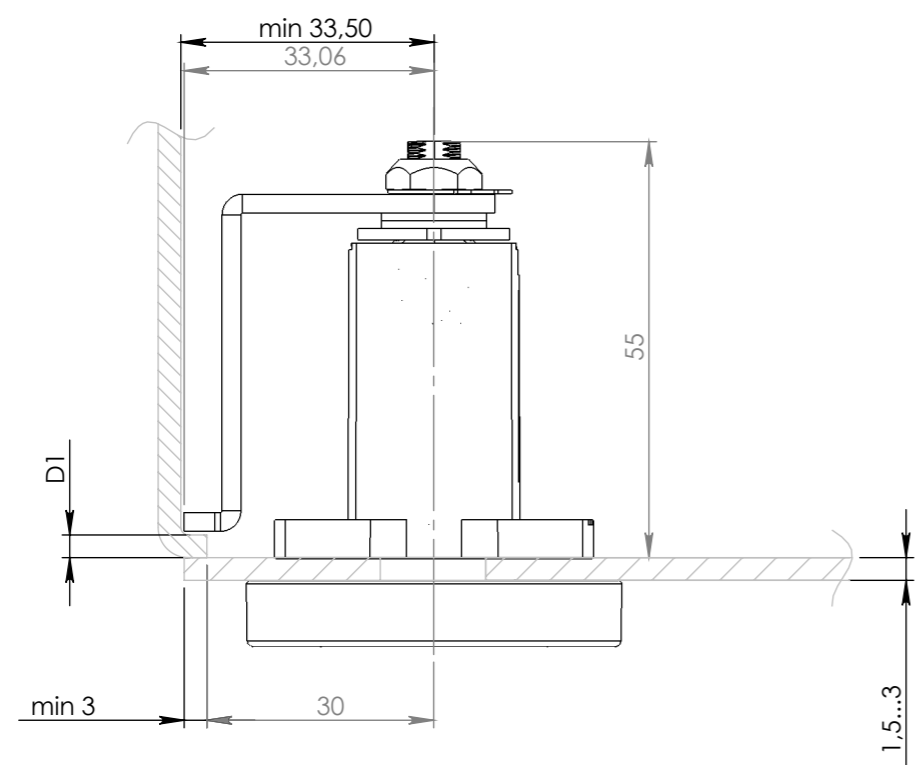
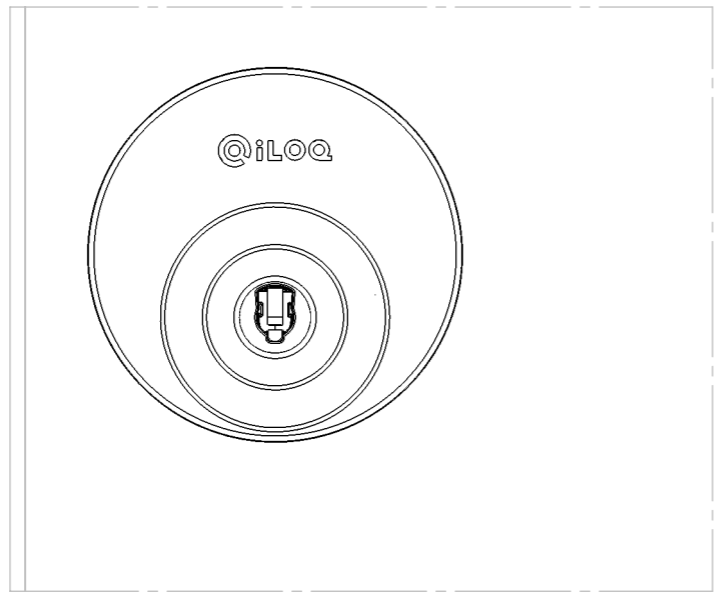
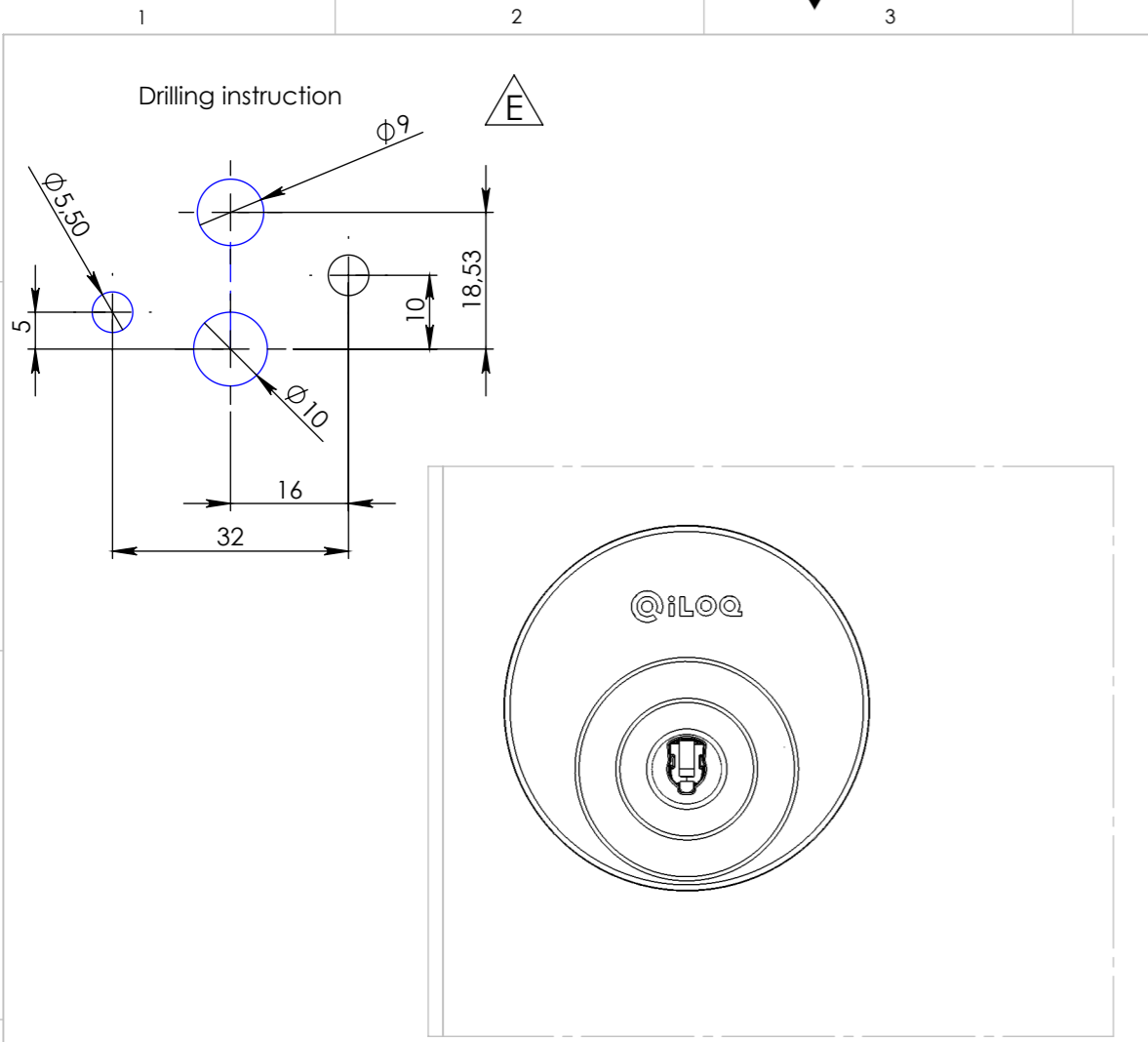


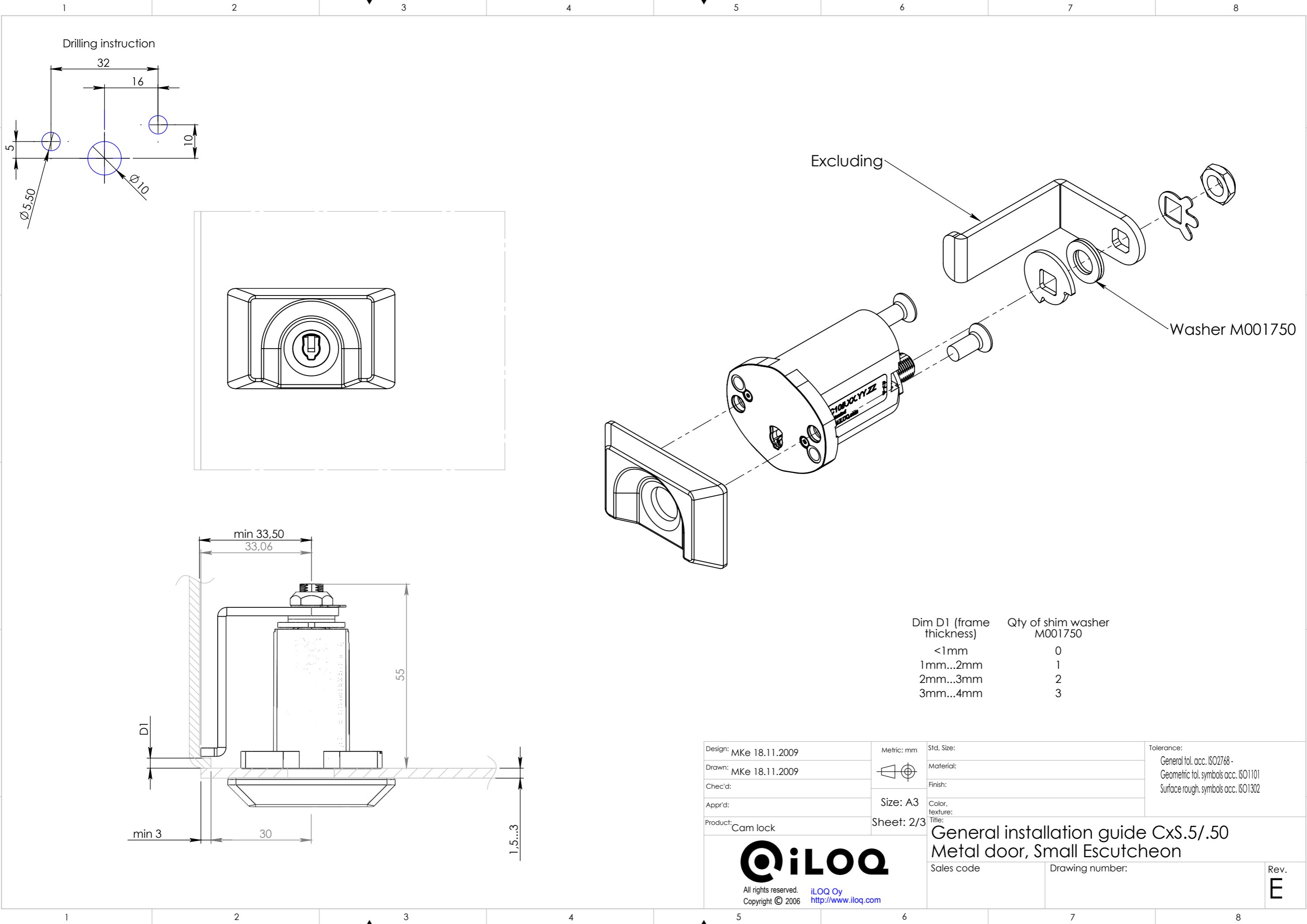
iLoq® and @iLoq™ are registered trademarks of iLoq Oy. This document and its contents are the property of iLoq Oy and must not be copied, reproduced or disclosed to any third party without prior written permission. Contravention will be prosecuted.



Dim D1 (frame thickness)	Qty of shim washer M001750
<1mm	0
1mm...2mm	1
2mm...3mm	2
3mm...4mm	3

Design: MKe 18.11.2009	Metric: mm	Std. Size:	Tolerance: General tol. acc. ISO2768- Geometric tol. symbols acc. ISO1101 Surface rough. symbols acc. ISO1302
Drawn: MKe 18.11.2009		Material:	
Chec'd:	Size: A3	Finish:	
Appr'd:	Sheet: 1/3	Color, texture:	
Product: Cam lock	Title: <b>General installation guide CxS.5/.50</b> <b>Metal door, Round Escutcheon</b>		
 All rights reserved. iLOQ Oy Copyright © 2006 <a href="http://www.ilooq.com">http://www.ilooq.com</a>		Sales code	Rev. <b>E</b>
		Drawing number:	

iLoq® and iLoq™ are registered trademarks of iLoq Oy. This document and its contents are the property of iLoq Oy and must not be copied, reproduced or disclosed to any third party without prior written permission. Contravention will be prosecuted.



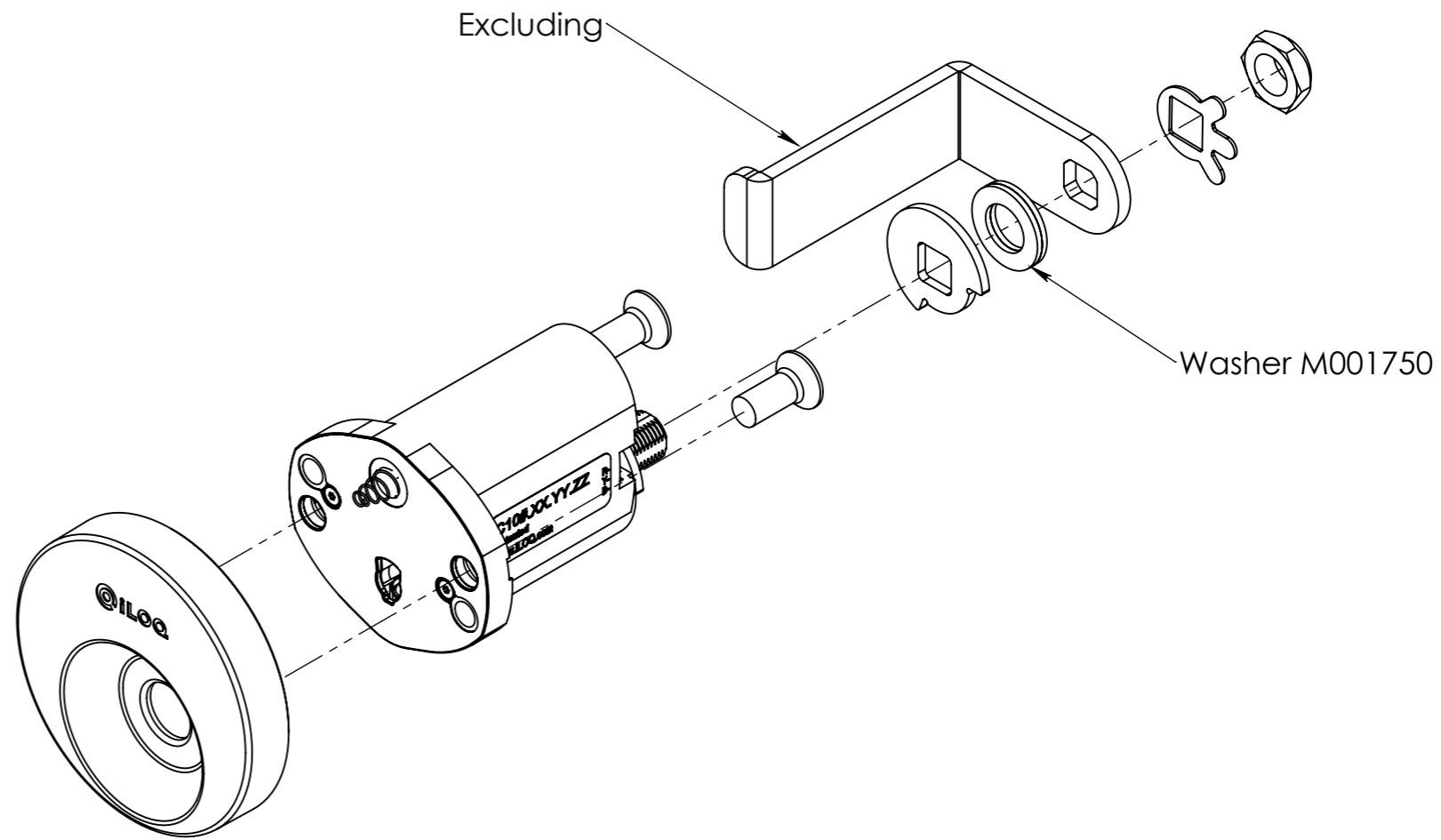
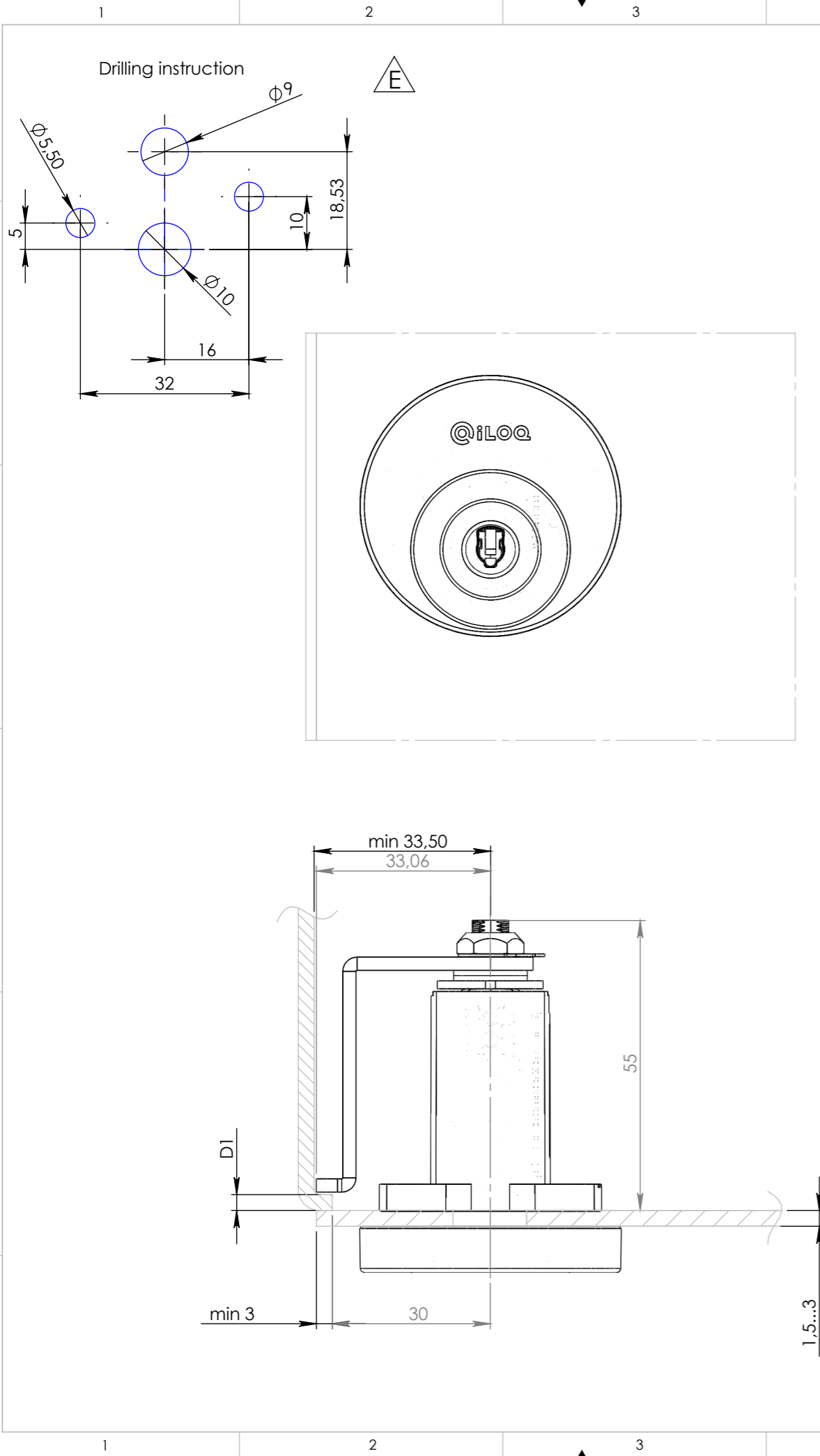
Excluding

Washer M001750

Dim D1 (frame thickness)	Qty of shim washer M001750
<1mm	0
1mm...2mm	1
2mm...3mm	2
3mm...4mm	3

Design: MKe 18.11.2009	Metric: mm	Std. Size:	Tolerance: General tol. acc. ISO2768- Geometric tol. symbols acc. ISO1101 Surface rough. symbols acc. ISO1302
Drawn: MKe 18.11.2009		Material:	
Chec'd:	Size: A3	Finish:	
Appr'd:	Sheet: 2/3	Color, texture:	
Product: Cam lock	Title: <b>General installation guide CxS.5/.50</b> <b>Metal door, Small Escutcheon</b>		
Sales code		Drawing number:	
 All rights reserved. Copyright © 2006 iLOQ Oy <a href="http://www.ilooq.com">http://www.ilooq.com</a>		Rev. <b>E</b>	

iLoq® and @iLoq™ are registered trademarks of iLoq Oy. This document and its contents are the property of iLoq Oy and must not be copied, reproduced or disclosed to any third party without prior written permission. Contravention will be prosecuted.



Dim D1 (frame thickness)	Qty of shim washer M001750
<1mm	0
1mm...2mm	1
2mm...3mm	2
3mm...4mm	3

Design: STo 26.11.2013	Metric: mm	Std. Size:	Tolerance:
Drawn: STo 26.11.2013		Material:	General tol. acc. ISO2768- Geometric tol. symbols acc. ISO1101 Surface rough. symbols acc. ISO1302
Chec'd:	Size: A3	Finish:	
Appr'd:	Sheet: 3/3	Color, texture:	
Product: Cam lock		Title:	
 All rights reserved. iLOQ Oy Copyright © 2006 <a href="http://www.ilooq.com">http://www.ilooq.com</a>		<b>General installation guide CxS.6/.60</b> <b>Metal door, Round RTC Escutcheon</b>	
		Sales code	Drawing number:
		Rev. <b>E</b>	