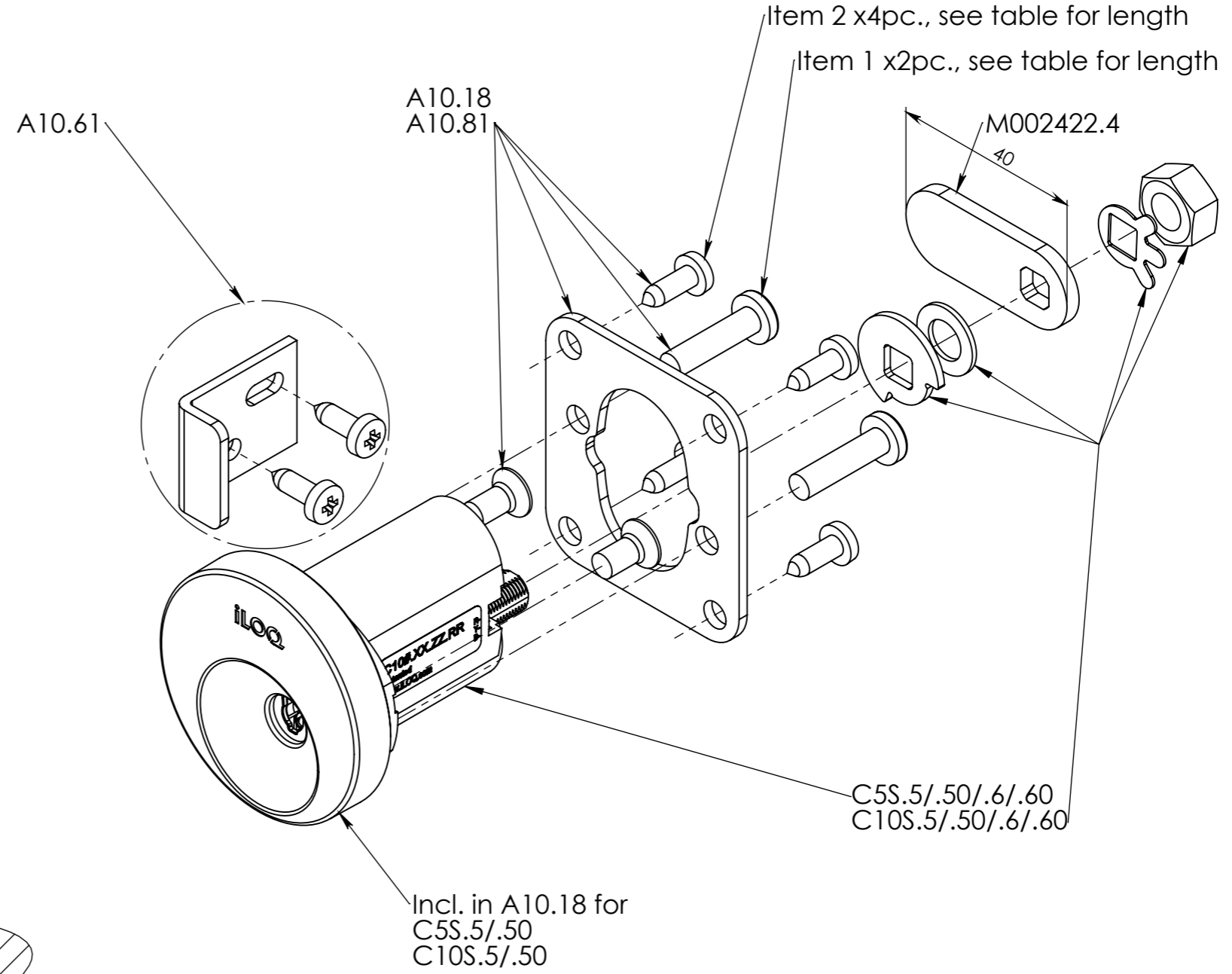
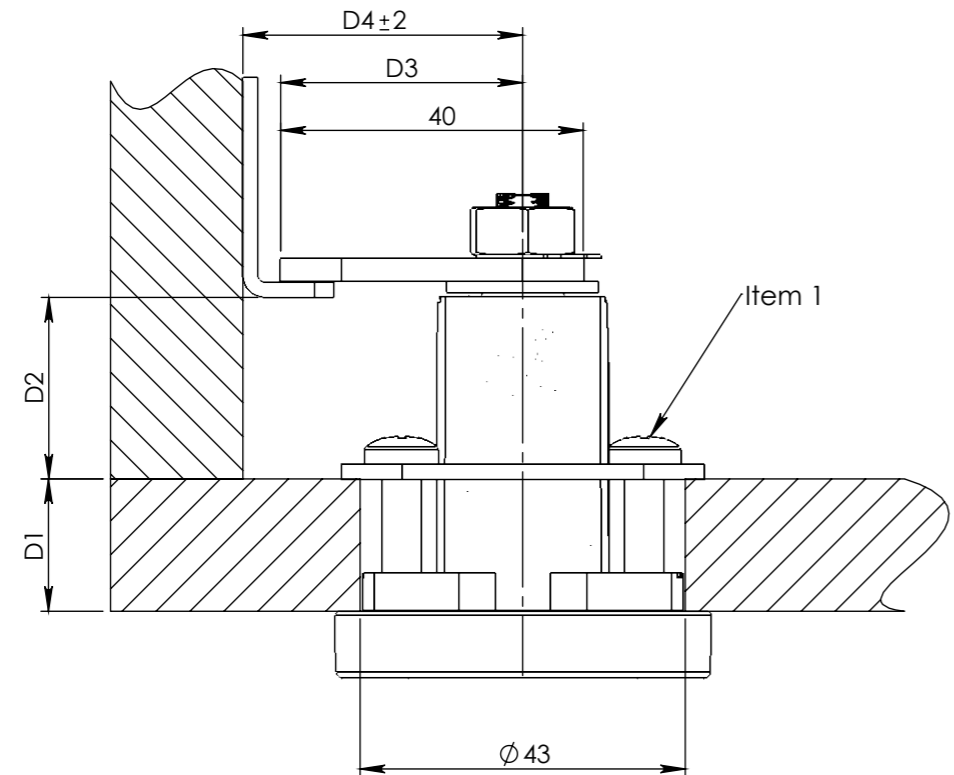
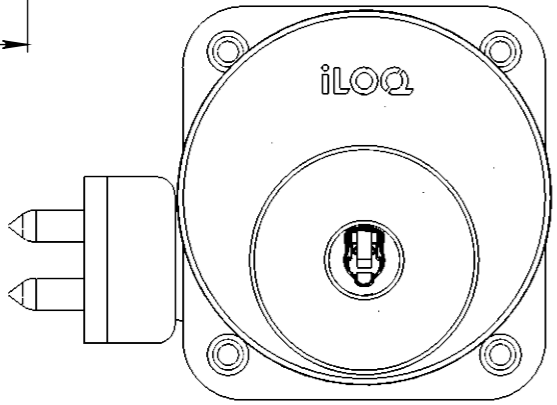
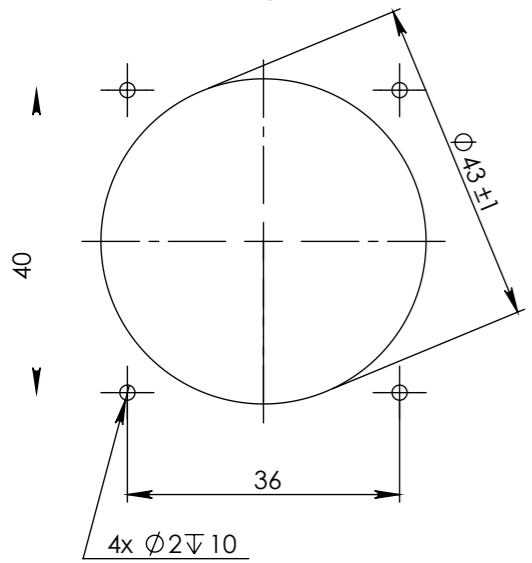


iLOQ® and iLOQ™ are registered trademarks of iLOQ Oy. This document and its contents are the property of iLOQ Oy and must not be copied, reproduced or disclosed to any third party without prior written permission. Contravention will be prosecuted.

Door drilling instruction



Striker plate position:

Screws:

D1, door thickness	D2, striker plate distance from door	Item 1 (ISO 7045)	Item 2 (PZ screw)
9 -14	35-30	M5x16	4x10
13-18	31-26	M5x20 Incl. in A10.18/.81	4x12 Incl. in A10.18/.81
18-23	26-21	M5x25	4x16

Lock distance from sidewall

D3, cam length	D4, lock center distance from wall
25	30
30	35
32	37
37	42

Design: toivsa 21.04.2020	Metric: mm	Std. Size:
Drawn: toivsa 21.04.2020		Material:
Chec'd:		Finish:
Appr'd: toivsa 21.04.2020	Size: A3	Color, texture:
Product: Cam lock	Based on:	MTG
		type:
		title:

Tolerance:	
3D Master Data to be followed!	
General tol. acc. ISO2768-1	
Size ISO 14405	
Geometric tol. symbols acc. ISO1101:2017	
Surface rough. symbols acc. ISO1302:2002	

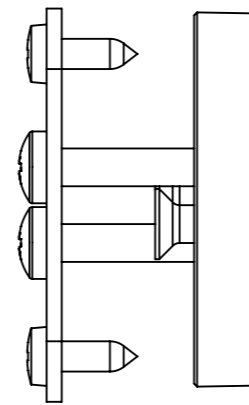
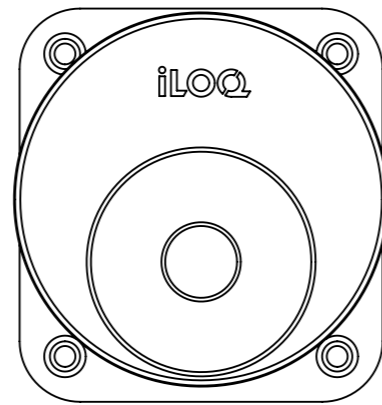
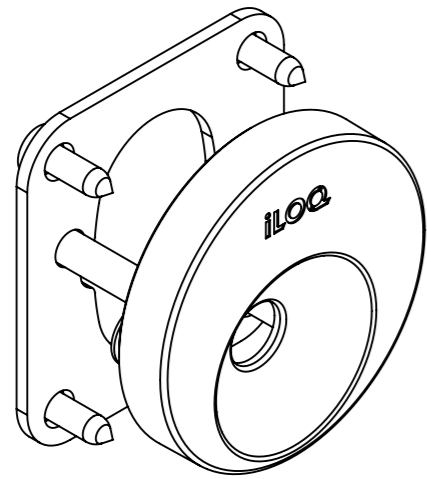
Installation guide C5 & C10S.5/.50/.6/.60  
Wood door D1=9-23mm



All rights reserved. iLOQ Oy  
Copyright © 2006 <http://www.ilooq.com>

Sales code	Drawing number:	Rev. <b>A</b>
------------	-----------------	------------------

iLOQ® and iLOQ™ are registered trademarks of iLOQ Oy. This document and its contents are the property of iLOQ Oy and must not be copied, reproduced or disclosed to any third party without prior written permission. Contravention will be prosecuted.



Design: toivsa 21.04.2020	Metric: mm	Std. Size:	Tolerance: 3D Master Data to be followed! General tol. acc. ISO2768-1 Size ISO 14405 (E) (0.2) Geometric tol. symbols acc. ISO1101:2017 Surface rough. symbols acc. ISO1302:2002
Drawn: toivsa 21.04.2020		Material:	
Chec'd:	Size: A3	Finish:	
Appr'd: toivsa 21.04.2020	Sheet: 2/2	Color, texture: MTg	
Product: Cam lock	Based on:	Installation guide C5 & C10S.5/.50/.6/.60 Wood door D1=9-23mm	
 All rights reserved. iLOQ Oy Copyright © 2006 http://www.iloo.com		Sales code	Rev. <b>A</b>
		Drawing number:	