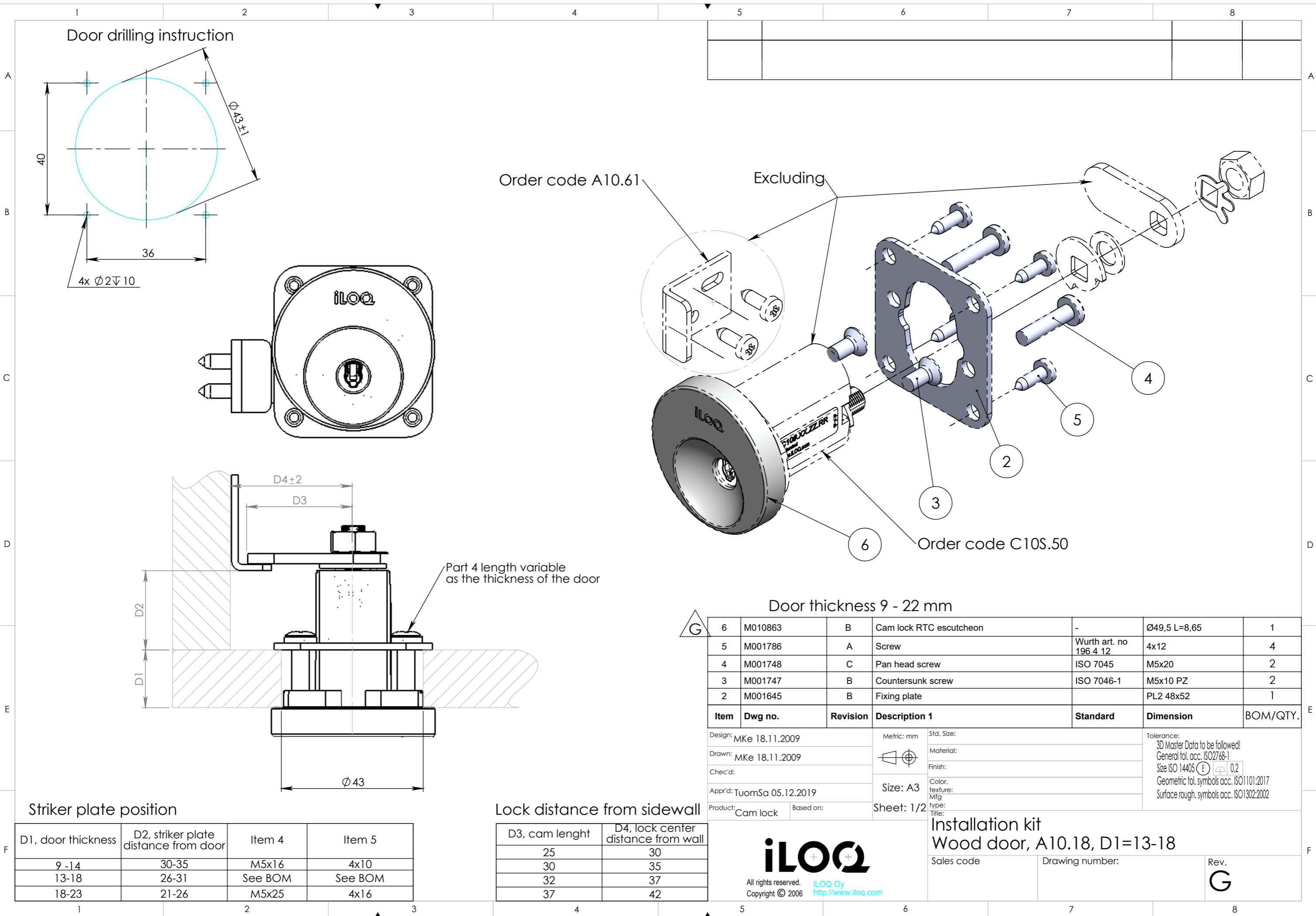


This document and its contents are the property of ILOQ Oy and must not be copied, reproduced or disclosed to any third party without prior written permission. Contravention will be prosecuted.



Order code A10.61

Excluding

Order code C10S.50

Part 4 length variable as the thickness of the door

Door thickness 9 - 22 mm

Item	Dwg no.	Revision	Description 1	Standard	Dimension	BOM/QTY.
6	M010863	B	Cam lock RTC escutcheon	-	Ø49,5 L=8,65	1
5	M001786	A	Screw	Würth art. no 196 4 12	4x12	4
4	M001748	C	Pan head screw	ISO 7045	M5x20	2
3	M001747	B	Countersunk screw	ISO 7046-1	M5x10 PZ	2
2	M001645	B	Fixing plate		PL2 48x52	1

Striker plate position

D1, door thickness	D2, striker plate distance from door	Item 4	Item 5
9 -14	30-35	M5x16	4x10
13-18	26-31	See BOM	See BOM
18-23	21-26	M5x25	4x16

Lock distance from sidewall

D3, cam length	D4, lock center distance from wall
25	30
30	35
32	37
37	42

Design: MKe 18.11.2009      Metric: mm      Std. Size:      Tolerance: 3D Master Data to be followed!  
 Drawn: MKe 18.11.2009      Material:      General tol. acc. ISO2768-1  
 Chec'd:      Finish:      Size ISO 14405 (E) (H) 0,2  
 Appr'd: TuomSa 05.12.2019      Size: A3      Color, texture:      Geometric tol. symbols acc. ISO 1101:2017  
 Product: Cam lock      Based on:      Sheet: 1/2      Surface rough. symbols acc. ISO 1302:2002

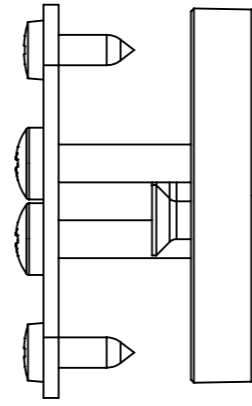
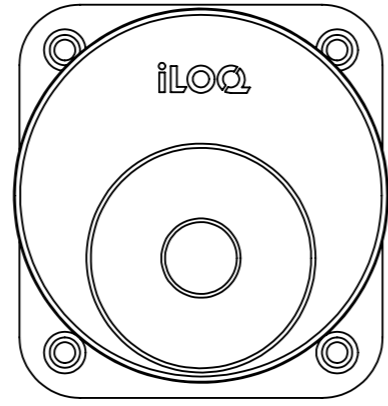
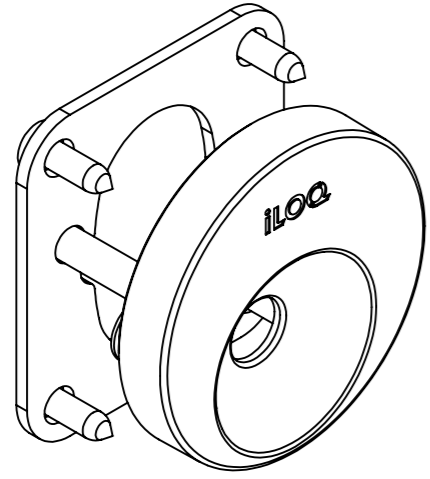


**Installation kit**  
 Wood door, A10.18, D1=13-18

Sales code      Drawing number:      Rev. **G**

This document and its contents are the property of ILOQ Oy and must not be copied, reproduced or disclosed to any third party without prior written permission. Contravention will be prosecuted.

ILOQ® and iLOQ™ are registered trademarks of ILOQ Oy



Design: MKe 18.11.2009	Metric: mm	Std. Size:	Tolerance: 3D Master Data to be followed! General tol. acc. ISO2768-1 Size ISO 14405 (E) (M) 0,2 Geometric tol. symbols acc. ISO 1101:2017 Surface rough. symbols acc. ISO 1302:2002
Drawn: MKe 18.11.2009		Material:	
Chec'd:	Size: A3	Finish:	
Appr'd: TuomSa 05.12.2019	Sheet: 2/2	Color, texture: Mig	
Product: Cam lock	Based on:	Installation kit	
 All rights reserved. Copyright © 2006 iLOQ Oy <a href="http://www.ilq.com">http://www.ilq.com</a>		Wood door, A10.18, D1=13-18	
		Sales code	Drawing number:
		Rev.	<b>G</b>