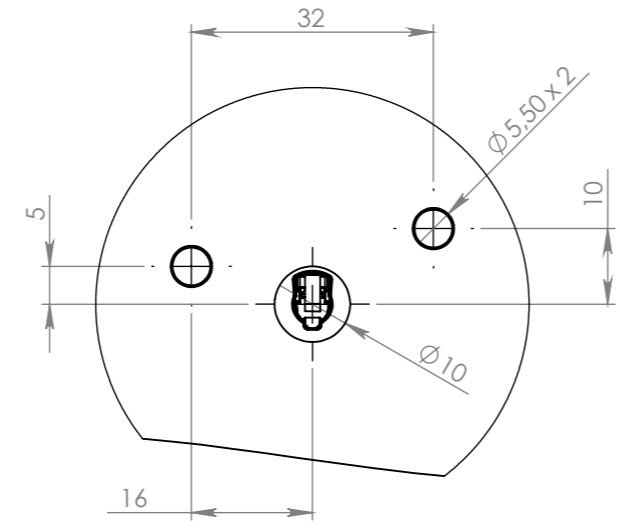
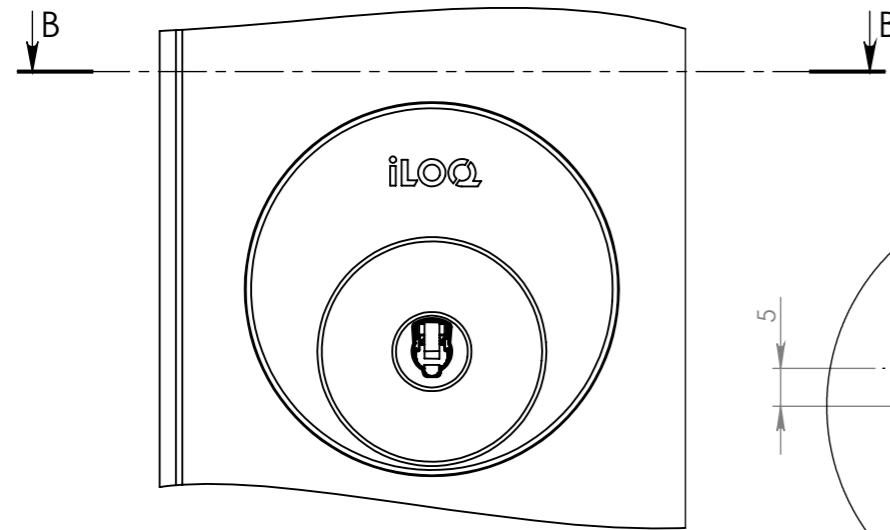
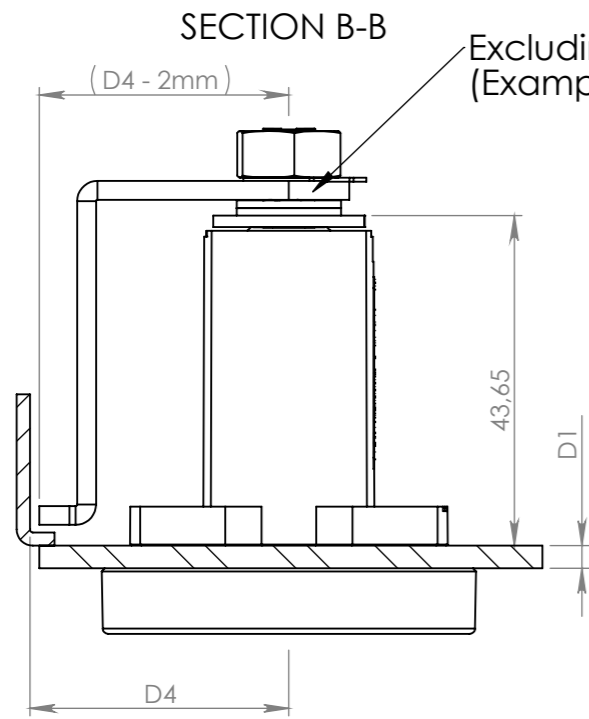
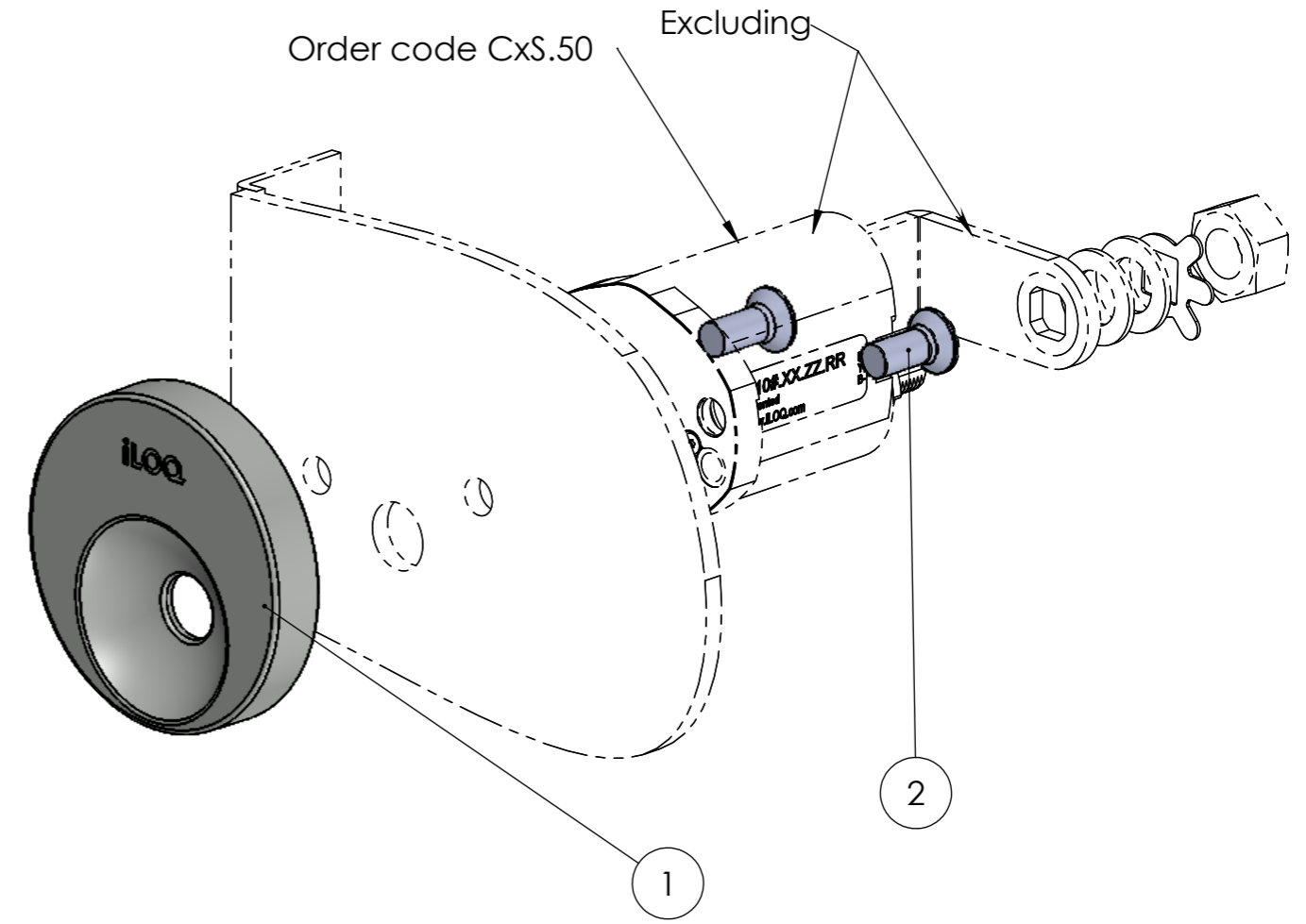


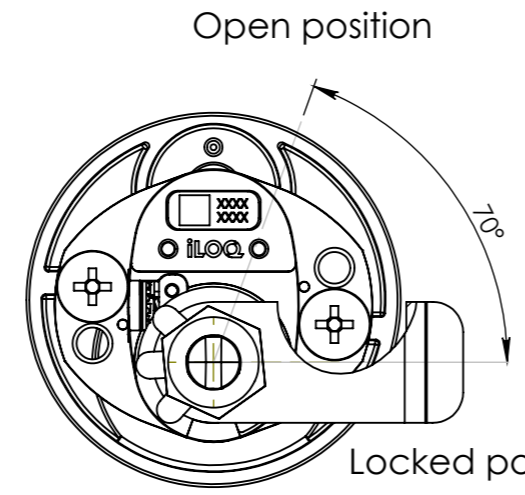
iLOQ® and iLOQ™ are registered trademarks of iLOQ Oy. This document and its contents are the property of iLOQ Oy and must not be copied, reproduced or disclosed to any third party without prior written permission. Contravention will be prosecuted.



DETAIL C  
Drilling



D1, door thickness, Max door thickness is 4mm  
D4, lock center distance from sidewall



B

Item	Dwg no.	Revision	Description 1	Standard	Dimension	BOM/QTY.
2	M001749	B	Countersunk screw	ISO 7046-1	M5x12, PZ2	2
1	M010863	B	Cam lock RTC escutcheon	-	Ø49,5 L=8,65	1

Design: MAr 19.10.2012	Metric: mm	Std. Size: _	Tolerance: 3D Master Data to be followed! General tol. acc. ISO2768-1 Medium Size ISO 14405 (E) (H) 0,2 Geometric tol. symbols acc. ISO 1101:2017 Surface rough. symbols acc. ISO 1302:2002
Drawn: MAr 19.10.2012		Material: _	
Chec'd: _	Size: A3	Finish: -	
Appr'd: TuomSa 05.12.2019	Sheet: 1/2	Color, texture: -	
Product: Cam lock	Based on:	Mfg type: _	

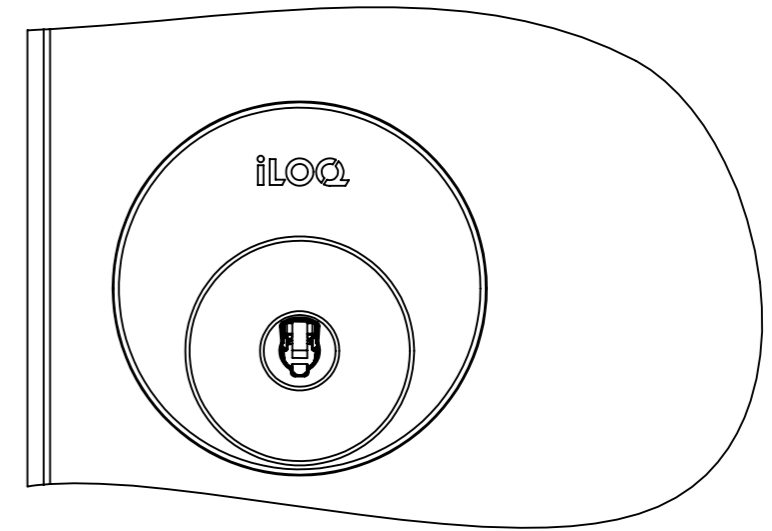
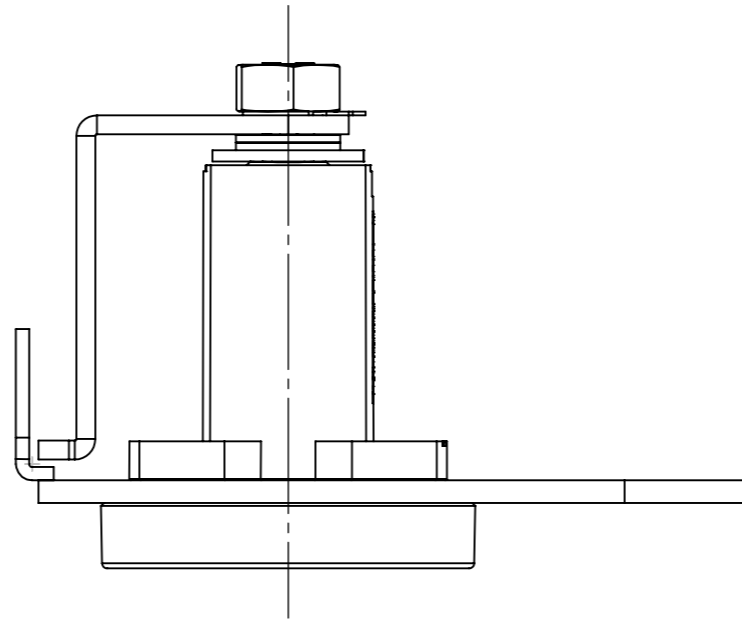
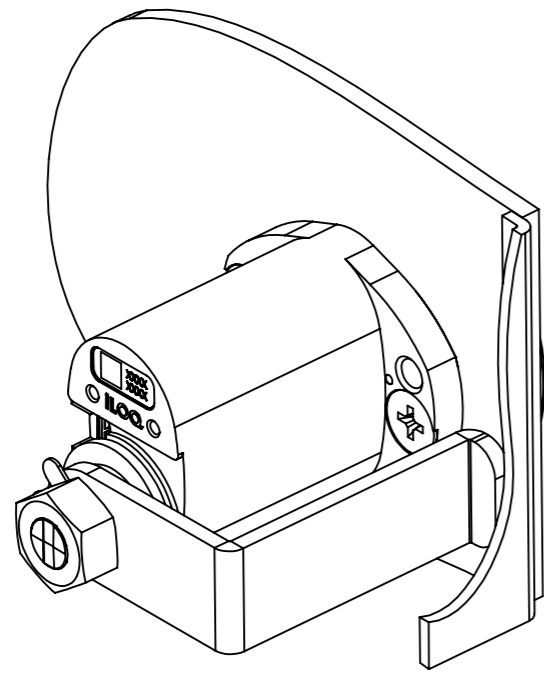
All rights reserved. Copyright © 2006  
iLOQ Oy  
<http://www.ilq.com>

**Camlock installation set, round front plate A10.58, Door thickness max. 4mm**

Sales code: \_\_\_\_\_ Drawing number: \_\_\_\_\_ Rev. **B**

This document and its contents are the property of ILOQ Oy and must not be copied, reproduced or disclosed to any third party without prior written permission. Contravention will be prosecuted.

ILOQ® and ILOQ™ are registered trademarks of ILOQ Oy



Design: MAr 19.10.2012	Metric: mm	Std. Size: _	Tolerance: 3D Master Data to be followed! General tol. acc. ISO2768-1 Medium Size ISO 14405 (E) (H) 0,2 Geometric tol. symbols acc. ISO 1101:2017 Surface rough. symbols acc. ISO 1302:2002
Drawn: MAr 19.10.2012		Material: _	
Chec'd: _	Size: A3	Finish: -	
Appr'd: TuomSa 05.12.2019	Sheet: 2/2	Color, texture: -	
Product: Cam lock	Based on:	Type: Mfg	Title:
 All rights reserved. Copyright © 2006 ILOQ Oy <a href="http://www.iloq.com">http://www.iloq.com</a>		Camlock installation set, round front plate A10.58, Door thickness max. 4mm	
		Sales code	Drawing number: