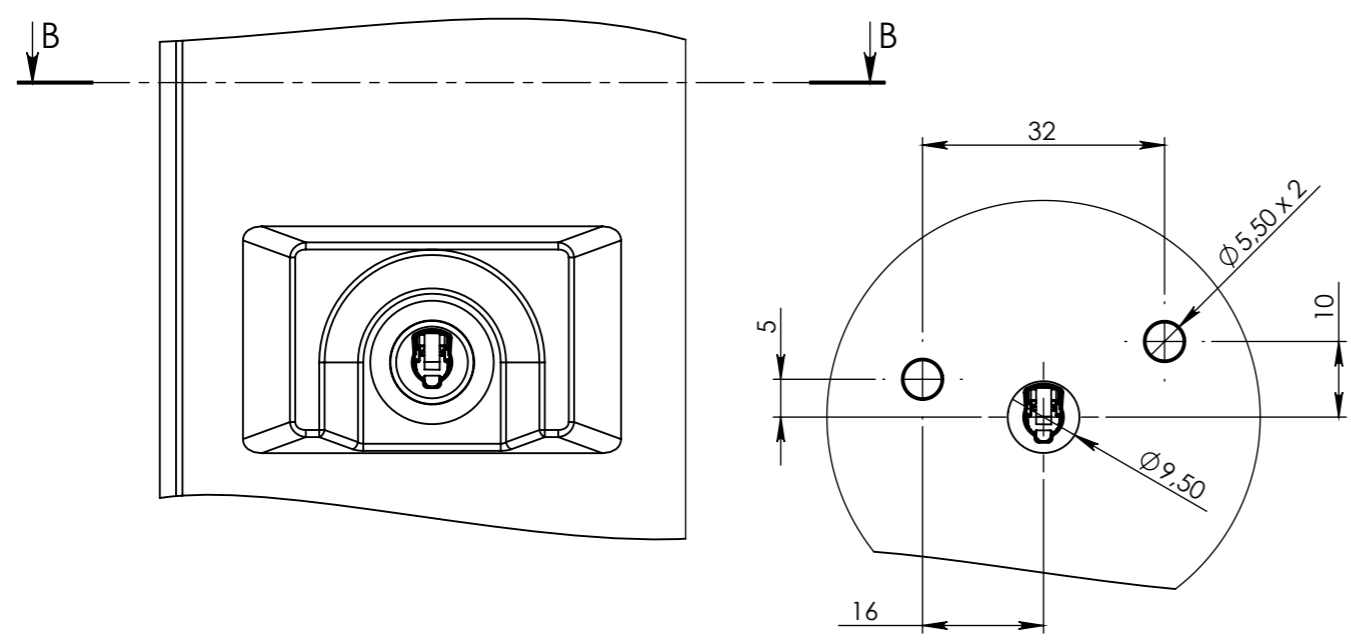
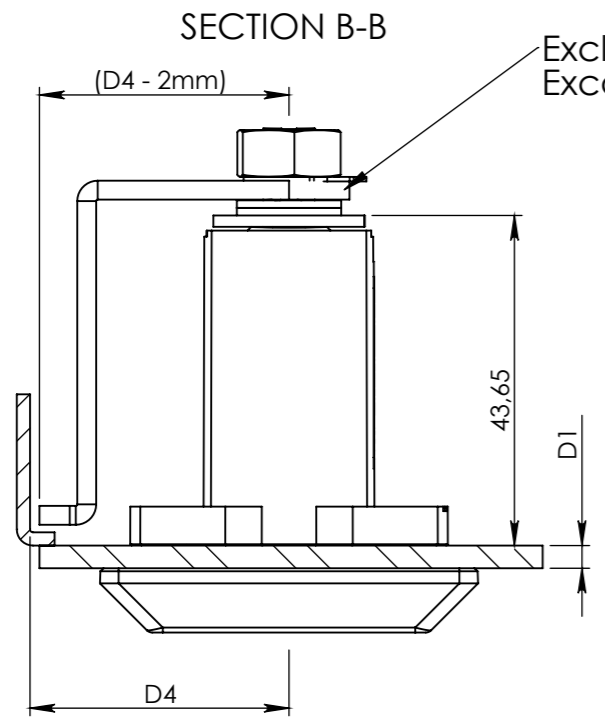


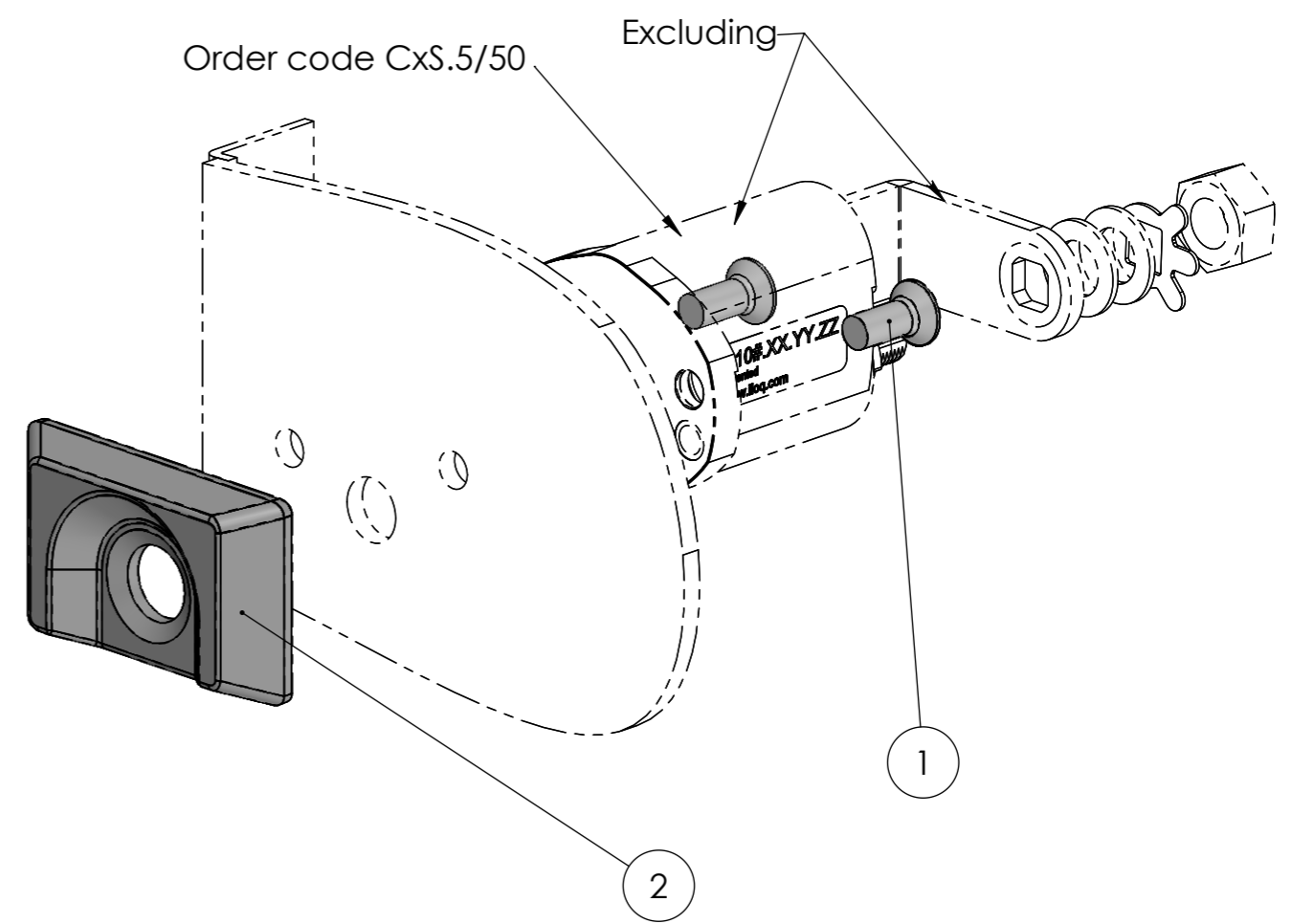
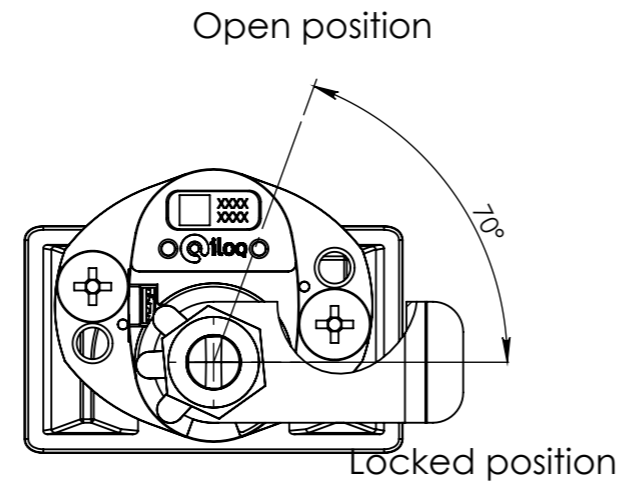
iLoq® and iLoq™ are registered trademarks of iLoq Oy. This document and its contents are the property of iLoq Oy and must not be copied, reproduced or disclosed to any third party without prior written permission. Contravention will be prosecuted.



DETAIL C  
Drilling



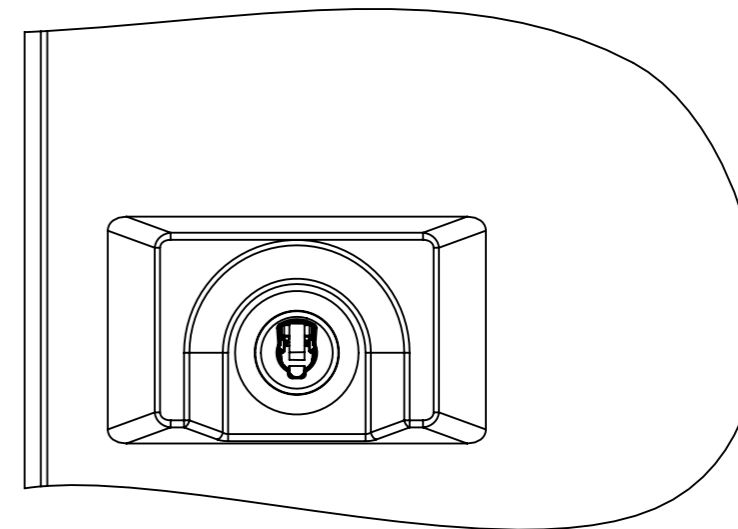
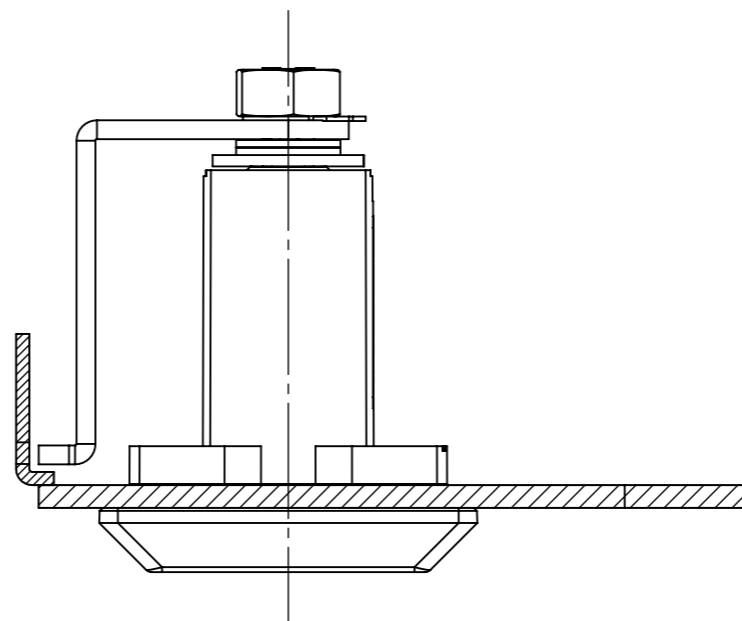
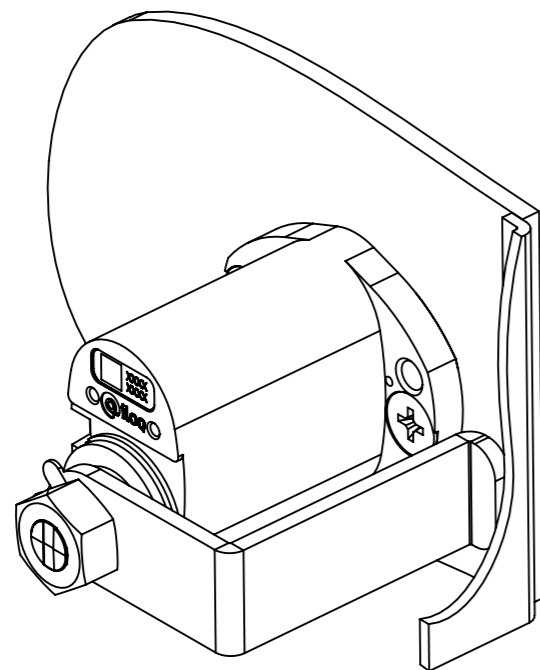
D1, door thickness, Max door thickness is 4mm  
D4, lock center distance from sidewall



Item	Dwg no.	Revision	Description 1	Standard	Dimension	BOM/QTY.
2	M003502	A	Cam lock escutcheon, Zamak	-	-	1
1	M001749	B	Countersunk screw	ISO 7046-1	M5x12, PZ2	2

Design: MAr 19.10.2012	Metric: mm	Size, std: -	Tolerance:
Drawn: MAr 19.10.2012		Material: -	General tol. acc. ISO2768 - Medium
Chec'd: -	Size: A3	Finish: -	Geometric tol. symbols acc. ISO1101
Appr'd: -		Color, texture: -	Surface rough. symbols acc. ISO1302
Part ref:		Title:	Mass: kg
Product: Cam lock		Camlock installation set, rectangular front plate A10.59, door thickness max 4mm	
Prod. call name: -		All rights reserved. Copyright (C) 2006 iLoq Oy http://www.iLoq.com	Drawing number:
Sheet: 1 / 2			Rev. A

iLoq® and iLoq™ are registered trademarks of iLoq Oy. This document and its contents are the property of iLoq Oy and must not be copied, reproduced or disclosed to any third party without prior written permission. Contravention will be prosecuted.



Design: MAr 19.10.2012	Metric: mm	Size, std: -	Tolerance:
Drawn: MAr 19.10.2012		Material: -	General tol. acc. ISO2768 - Medium
Chec'd: -		Finish: -	Geometric tol. symbols acc. ISO1101
Appr'd: -	Size: A3	Color, texture: -	Surface rough. symbols acc. ISO1302
Part ref:			Mass: kg
Product: Cam lock		Title: Camlock installation set, rectangular front plate	
Prod. call name: -		A10.59, door thickness max 4mm	
Sheet: 2 / 2		All rights reserved. Copyright (C) 2006 iLoq Oy <a href="http://www.iLoq.com">http://www.iLoq.com</a>	Drawing number: