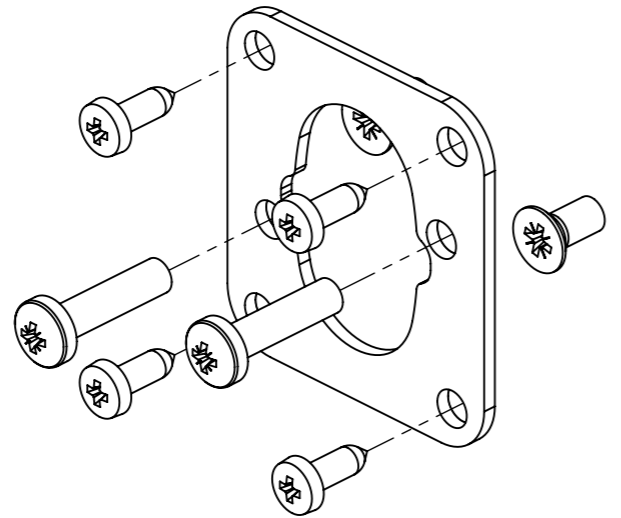
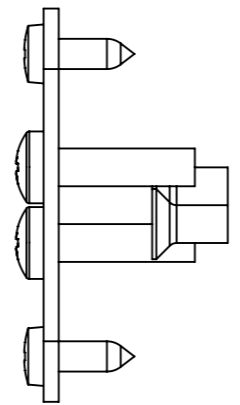
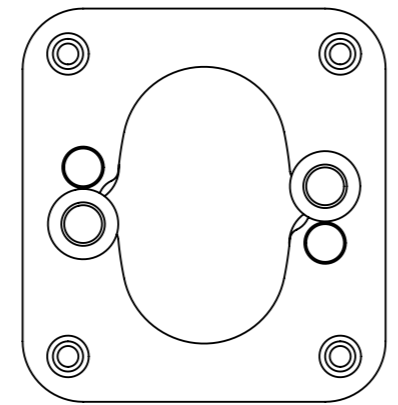
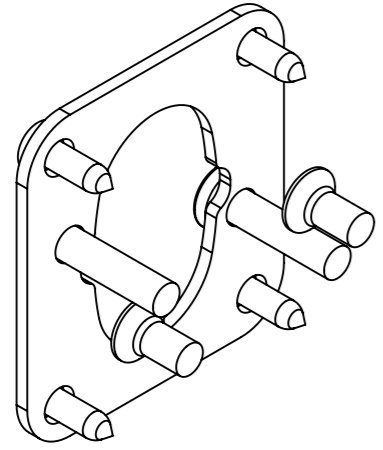


iLoq® and iLoq™ are registered trademarks of iLoq Oy. This document and its contents are the property of iLoq Oy and must not be copied, reproduced or disclosed to any third party without prior written permission. Contravention will be prosecuted.



Design:	Metric: mm	Std. Size:	Tolerance:
Drawn: STo 20.11.2013		Material:	General tol. acc. ISO2768 - Geometric tol. symbols acc. ISO1101 Surface rough. symbols acc. ISO1302
Chec'd:	Size: A3	Finish:	
Appr'd:	Sheet: 2/2	Color, texture:	
Product: Cam lock	Title: Installation kit Wood door, D1=13-18		
 All rights reserved. iLOQ Oy Copyright © 2006 http://www.ilooq.com		Sales code	Rev.
		A10.81	A
		Drawing number:	