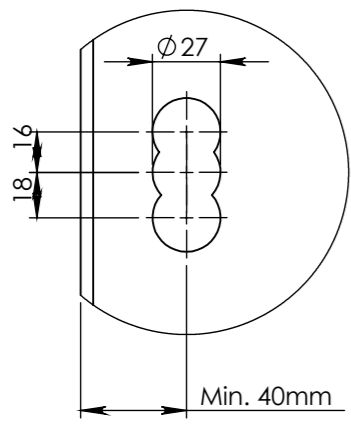
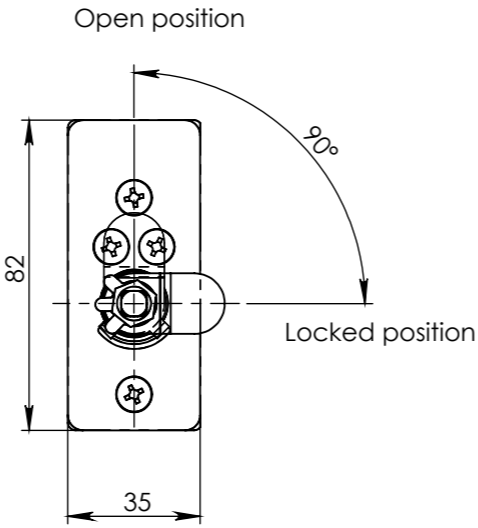
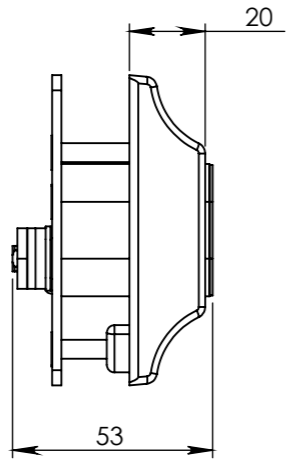
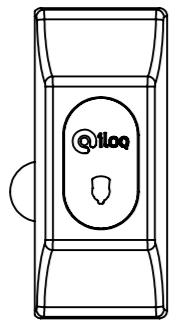
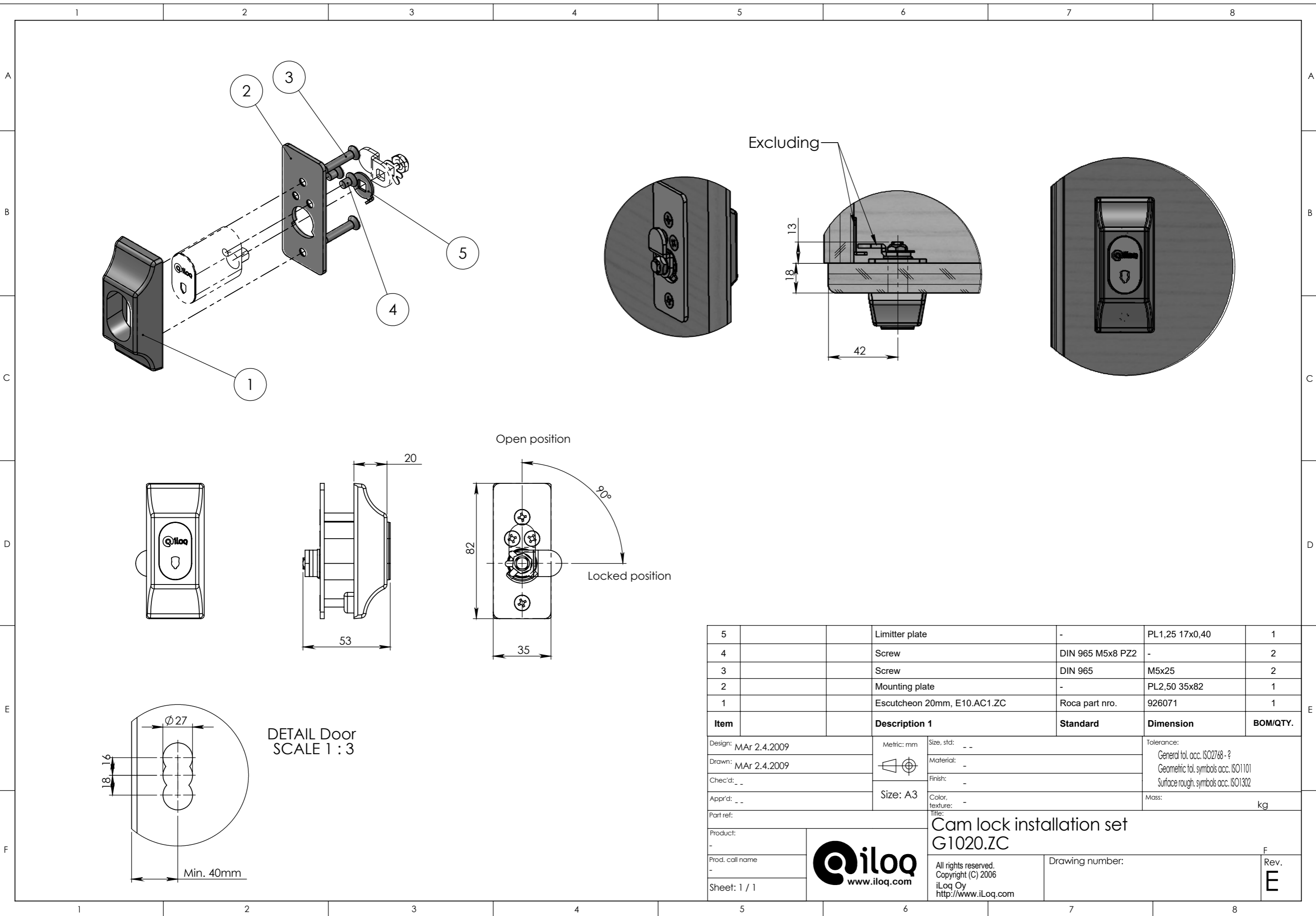


iLoq® and iLoq™ are registered trademarks of iLoq Oy. This document and its contents are the property of iLoq Oy and must not be copied, reproduced or disclosed to any third party without prior written permission. Contravention will be prosecuted.



DETAIL Door
SCALE 1 : 3

Item	Description 1	Standard	Dimension	BOM/QTY.
5	Limiter plate	-	PL1,25 17x0,40	1
4	Screw	DIN 965 M5x8 PZ2	-	2
3	Screw	DIN 965	M5x25	2
2	Mounting plate	-	PL2,50 35x82	1
1	Escutcheon 20mm, E10.AC1.ZC	Roca part nro.	926071	1

Design: MAr 2.4.2009	Metric: mm	Size, std: - -	Tolerance:
Drawn: MAr 2.4.2009		Material: -	General tol. acc. ISO2768 - ?
Chec'd: - -		Finish: -	Geometric tol. symbols acc. ISO1101
Appr'd: - -	Size: A3	Color, texture: -	Surface rough. symbols acc. ISO1302
Part ref:			Mass: kg
Product: -	 www.iLoq.com	Cam lock installation set G1020.ZC	
Prod. call name: -		Drawing number:	
Sheet: 1 / 1		All rights reserved. Copyright (C) 2006 iLoq Oy http://www.iLoq.com	
			F Rev. E