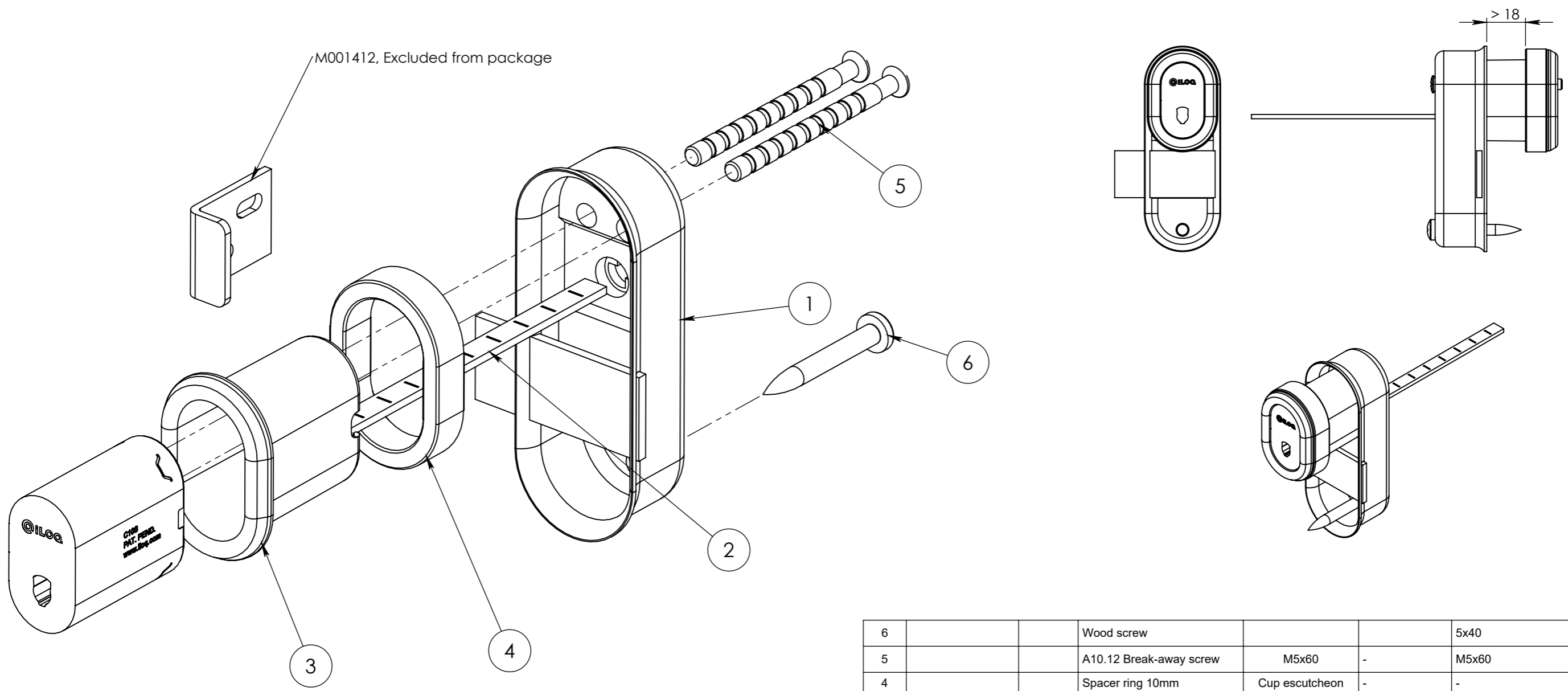


iLoq® and iLoq™ are registered trademarks of iLoq Oy. This document and its contents are the property of iLoq Oy and must not be copied, reproduced or disclosed to any third party without prior written permission. Contravention will be prosecuted.



6		Wood screw			5x40	1
5		A10.12 Break-away screw	M5x60	-	M5x60	2
4		Spacer ring 10mm	Cup escutcheon	-	-	1
3		Cup escutcheon	E10.B7, 40mm	-	-	1
2		Torsion bar	Rim lock	EN 10149	-	1
1		Lock case	Double acting	-		1
Item		Description 1	DESCRIPTION2	Standard	Dimension	BOM/Qty

Design: MKe - Metric: mm Std. Size: -- Tolerance:

Drawn: MKe 22.08.2012		Material:	General tol. acc. ISO2768 - ? Geometric tol. symbols acc. ISO1101 Surface rough. symbols acc. ISO1302
Chec'd: _		Finish: -	
Appr'd: riekhe 24.04.2017		Color, texture: -	
Product: Cam lock		Title:	
	Size: A3	Sheet: 1/2	
		Camlock installation set	
		Sales code: G1024.SP	Drawing number:

All rights reserved. iLOQ Oy Copyright © 2006 http://www.ilooq.com

F Rev. C