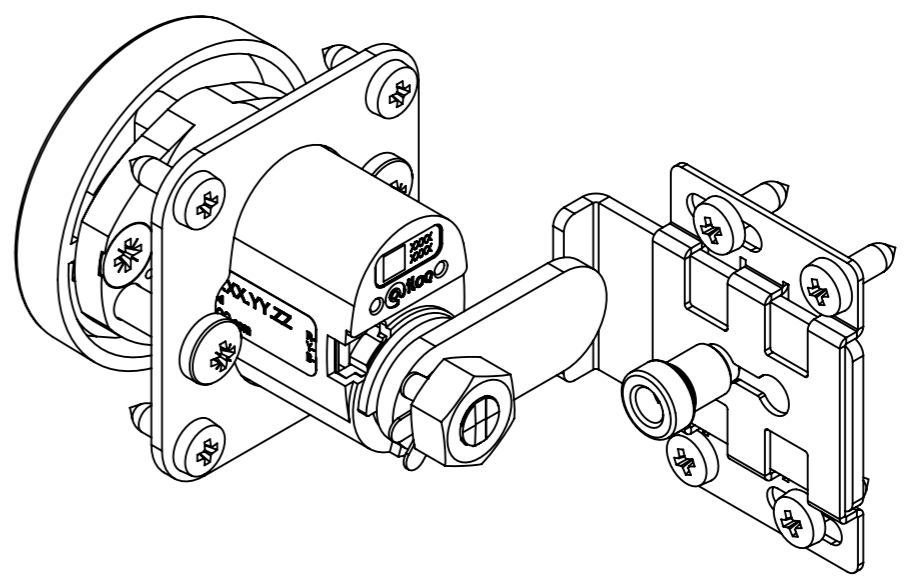
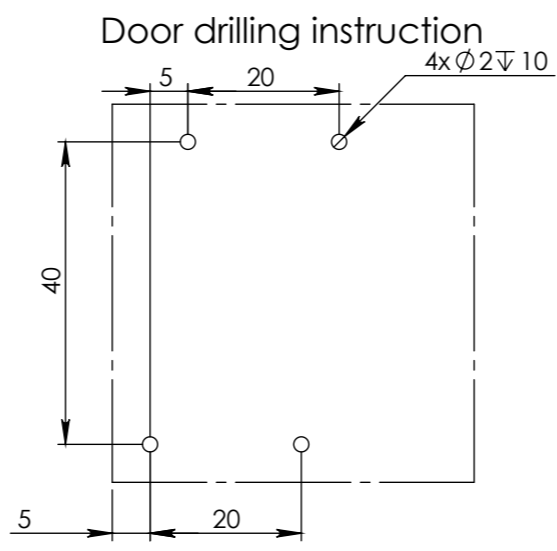
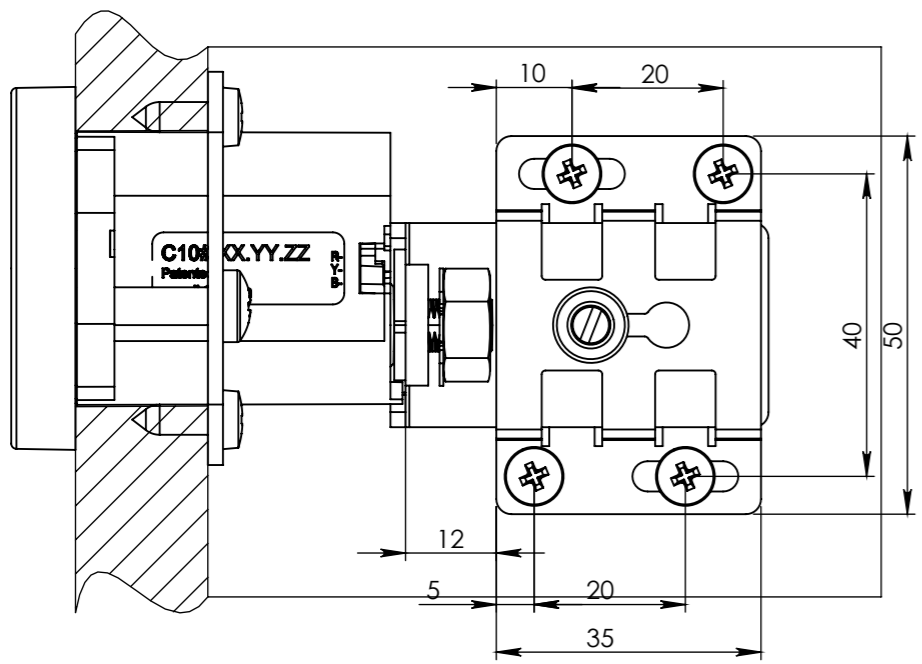
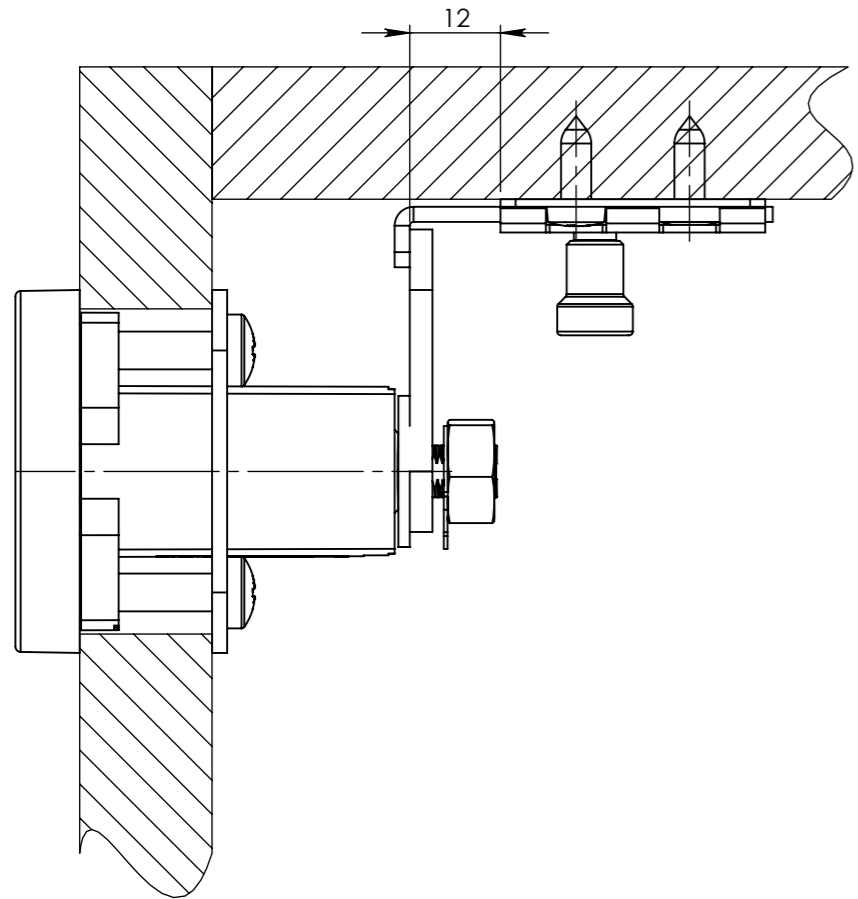


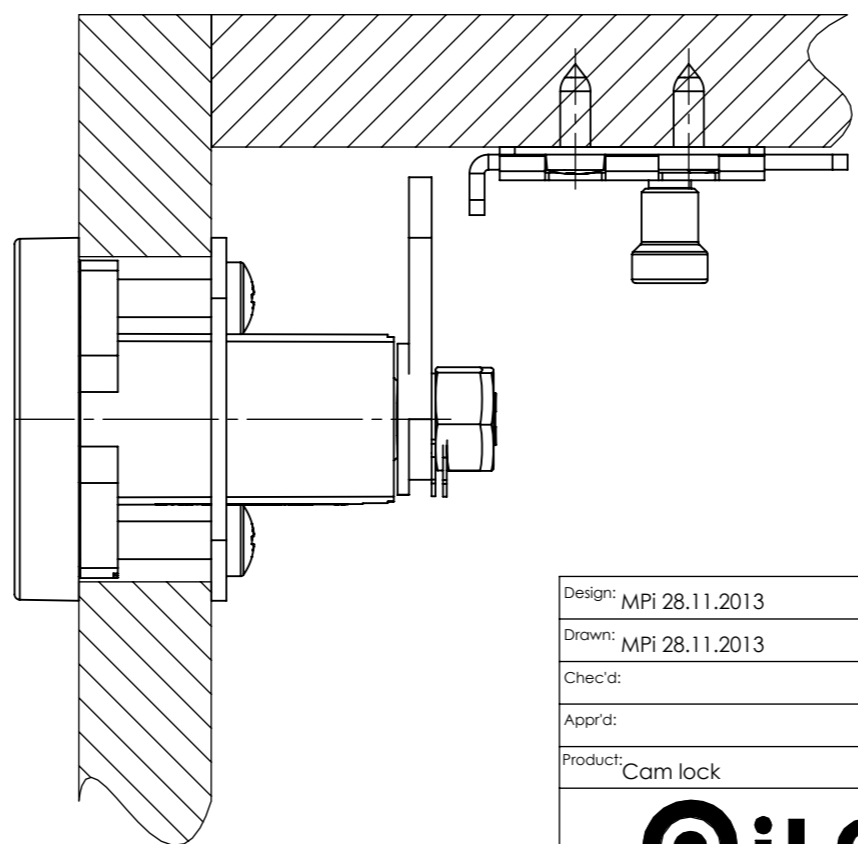
iLoq® and iLoq™ are registered trademarks of iLoq Oy. This document and its contents are the property of iLoq Oy and must not be copied, reproduced or disclosed to any third party without prior written permission. Contravention will be prosecuted.



Locked position



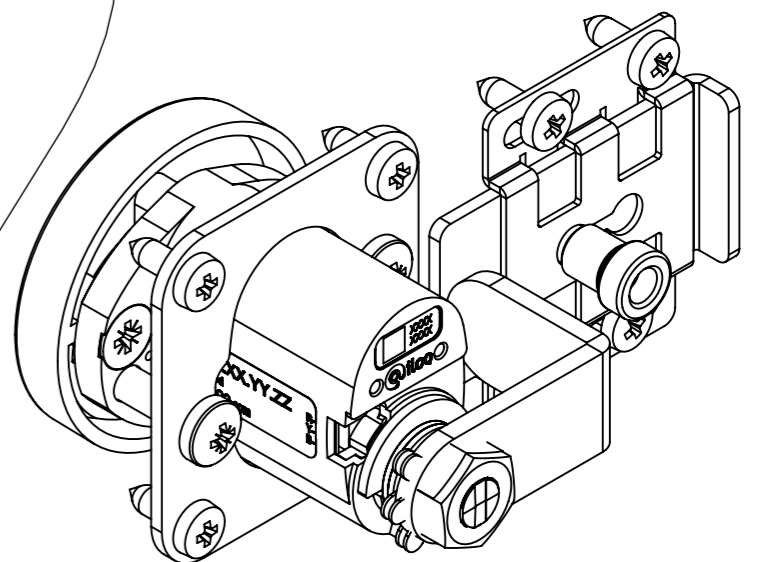
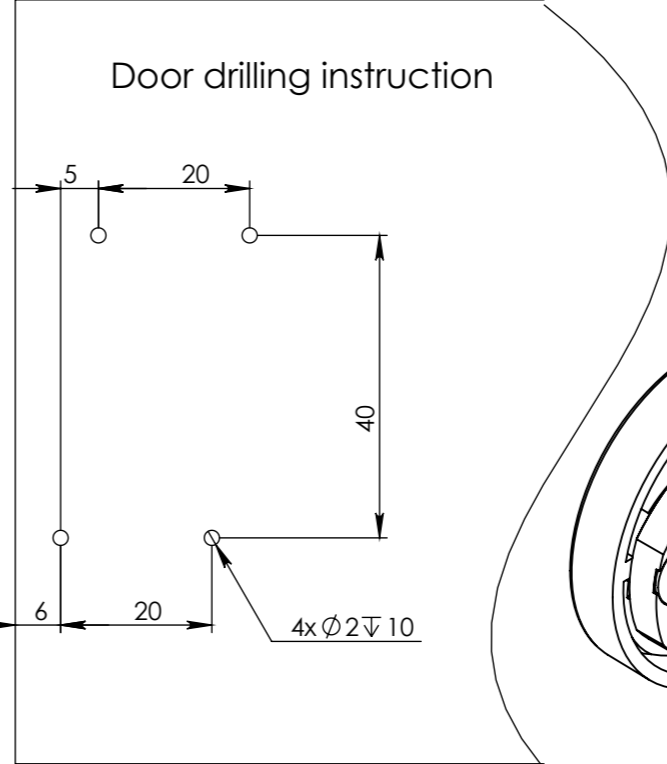
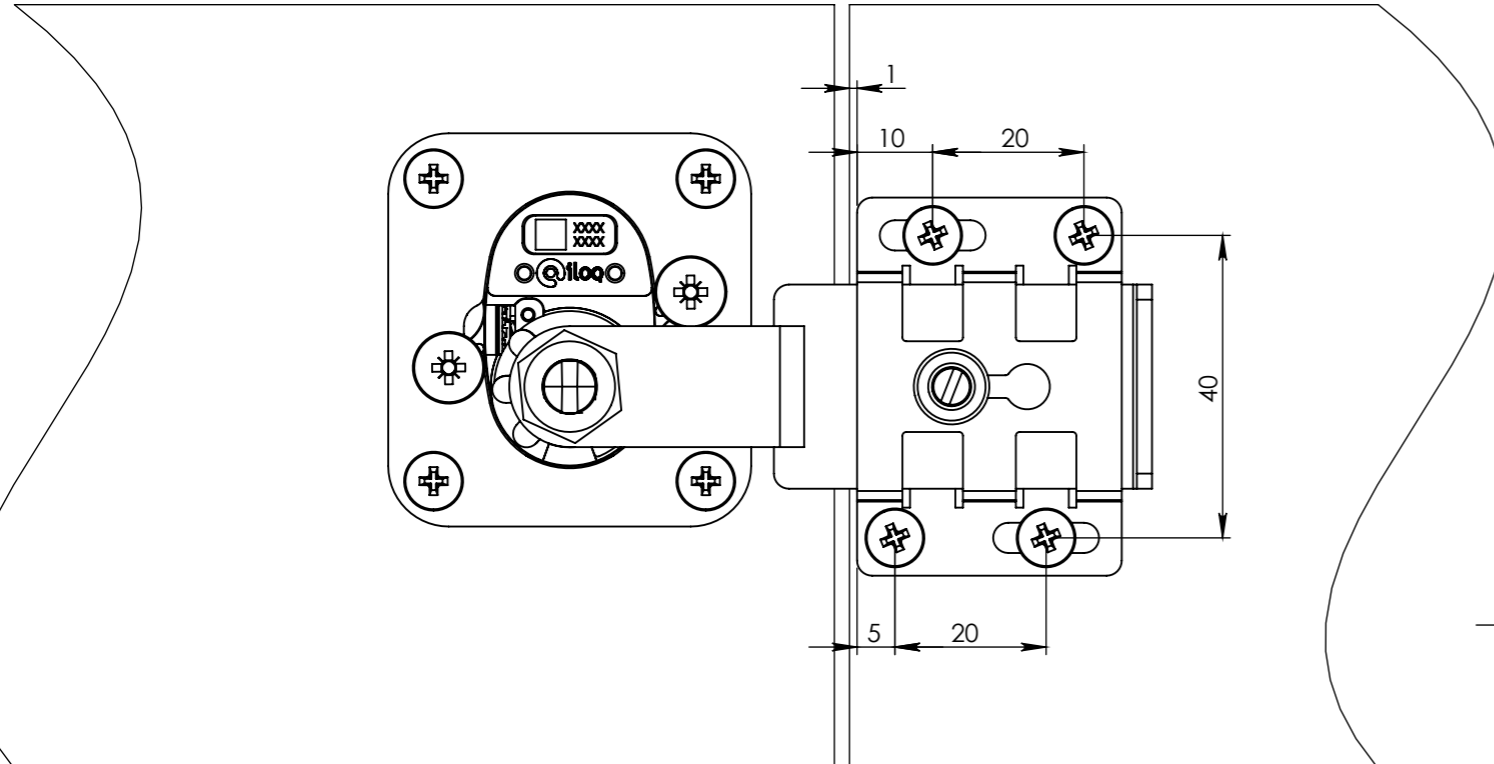
Unlocked position



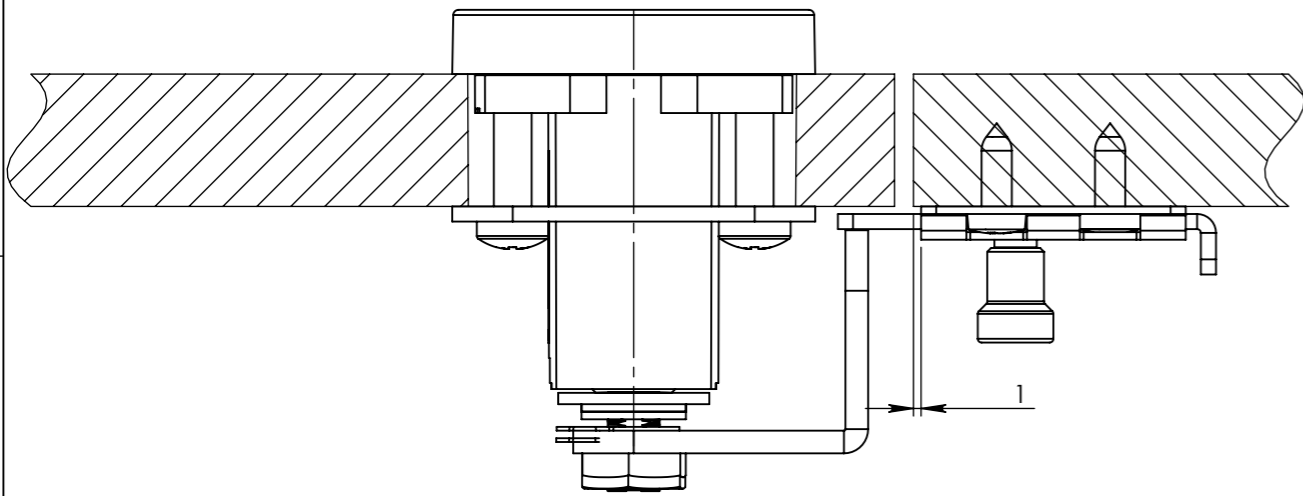
Design: MPI 28.11.2013	Metric: mm	Std. Size:	Tolerance: General tol. acc. ISO2768 - Geometric tol. symbols acc. ISO1101 Surface rough. symbols acc. ISO1302
Drawn: MPI 28.11.2013		Material:	
Chec'd:	Size: A3	Finish:	
Appr'd:	Sheet: 1/2	Color, texture:	Title: Drilling instruction Releasable camlock latch
Product: Cam lock			
 All rights reserved. iLOQ Oy Copyright © 2006 http://www.ilooq.com		Sales code	Drawing number:
			Rev. A

iLoq® and iLoq™ are registered trademarks of iLoq Oy. This document and its contents are the property of iLoq Oy and must not be copied, reproduced or disclosed to any third party without prior written permission. Contravention will be prosecuted.

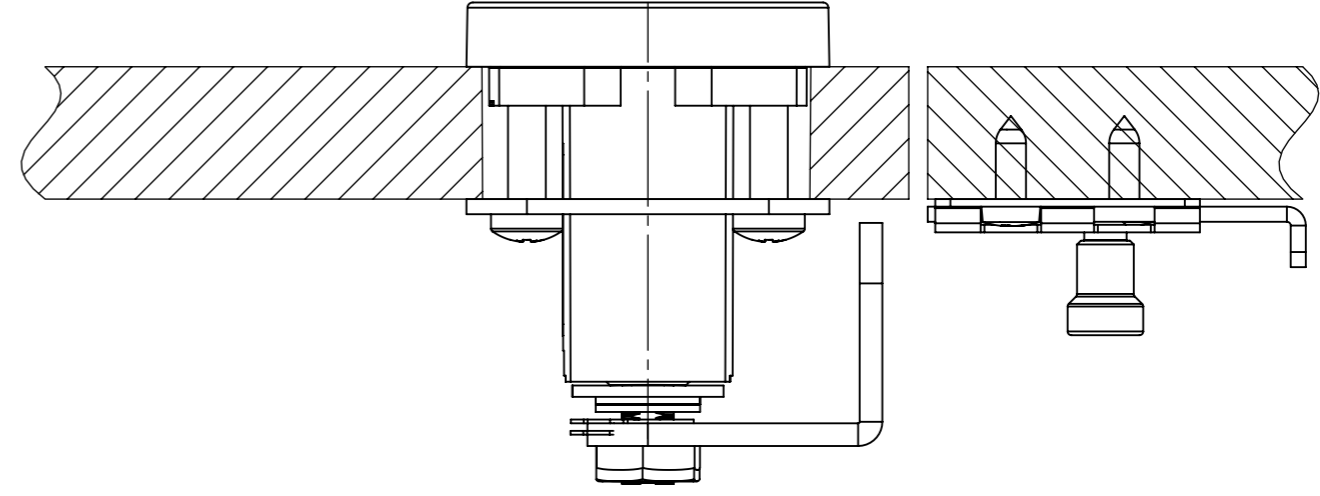
Double door installation



Locked position



Unlocked position



Design: MPI 28.11.2013	Metric: mm	Std. Size:	Tolerance:
Drawn: MPI 28.11.2013		Material:	General tol. acc. ISO2768-
Chec'd:		Finish:	Geometric tol. symbols acc. ISO1101
Appr'd:	Size: A3	Color, texture:	Surface rough. symbols acc. ISO1302
Product: Cam lock	Sheet: 2/2	Title: Drilling instruction Releasable camlock latch	
 All rights reserved. iLOQ Oy Copyright © 2006 http://www.ilooq.com		Sales code	Rev. A
		Drawing number:	