

X50S.1A.26.T.CXX Mortise Cylinder 1 1/8"

System-level description

The patented, award winning iLOQ S50 locking system offers advanced security and convenient access sharing capabilities for master-key locking environments.

The iLOQ X50S mortise cylinders harvest electricity wirelessly from NFC field, which enables using phone not only as a key but also as a power source thus the lock is completely battery free. As no batteries are required, the locks are maintenance free and environmentally friendly green solution that eliminates work, costs, waste and harm associated with battery powered solutions.

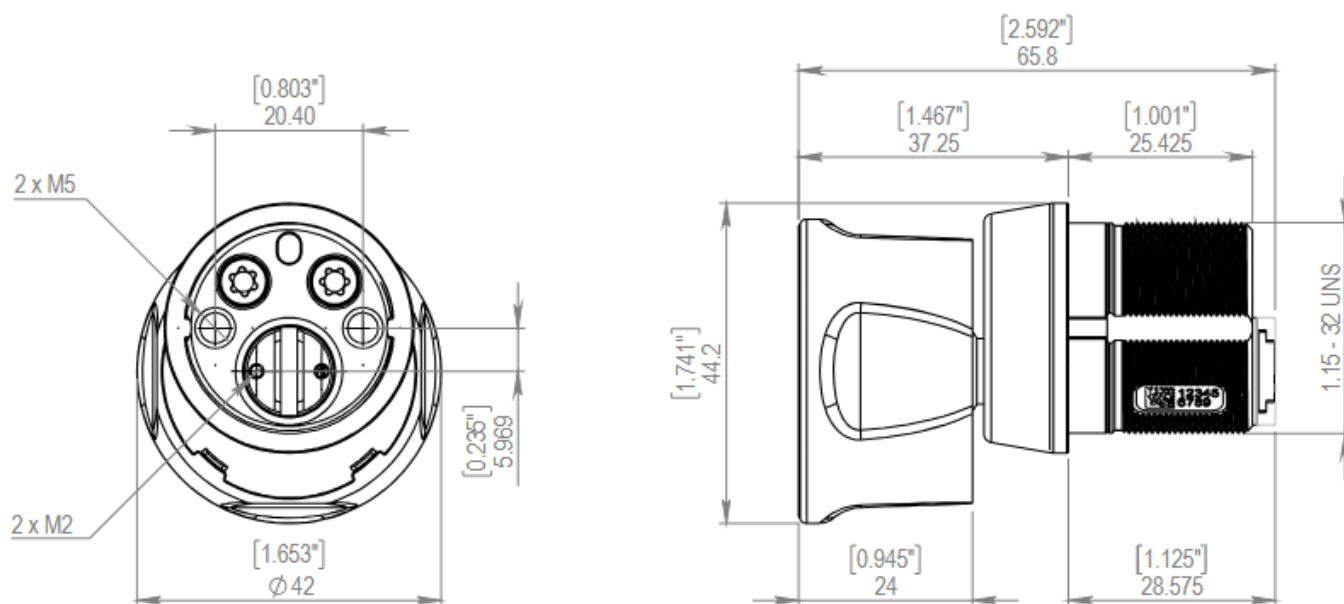
The lock doesn't have a keyway due to the contactless NFC operation. It is designed to be used in harsh environments where the locks are exposed to dust, moisture and varying temperature conditions ranging from extremely cold to hot weather.

The phone as a key enables flexible access sharing with time restrictions and audit trail reporting over the air. The security level is kept high and security gaps caused by lost key can be eliminated completely without costly change of locks and keys.

Feature summary

- NFC-powered: No batteries are required for the cylinder
- Opened with NFC enabled iPhone, Android phone and K55S Key Fob
- Secured using powerful AES256 encryption and mutual authentication
- Initial programming with PC and iLOQ P55S.1 Programming Token in connection to server
- Share and revoke access rights over the air
- Blocklist for lost key fobs
- Audit trail records with time stamp (can be configured on/off)
- Supports time restrictions
- Can be configured to require online opening authentication
- Can be re-programmed in the field with phone keys
- Firmware updateable
- Satin Chrome finish (26D)
- High guard escutcheon is available for added security (Product Code: AX50.X.ES1.26)
- 1/4" Extension kit is available for thick doors (Product Code: AX50.X.G.02)
- Available cams: Adams Rite Cam, Yale Standard Cam, Schlage L Cam, Sargent Cam, Russwin Clover Cam, Russwin A01 Cam, Russwin A02 Cam, Falcon Cam, Segal Cam, MARKS 2101 Cam, Yale 2160 Cam, Best C258 Cam and MARKS 2102 Cam

Dimensional drawing



Memory capacity

Number of access rights.....	210
Number of blocklisted keys.....	500
Number of time slots.....	10
Size of event log.....	500

Technical data

Ingress protection rating.....	IP65
Surface treatment.....	Satin chrome
Maximum temperature.....	80°C
Minimum temperature.....	-40°C
Usage environment.....	Outdoor

Certificates

Certification in progress.....	ISED
Certification in progress.....	UL10C
Certification in progress.....	FCC
Certification in progress.....	BHMA_A156_30
Certification in progress.....	BHMA A156.5