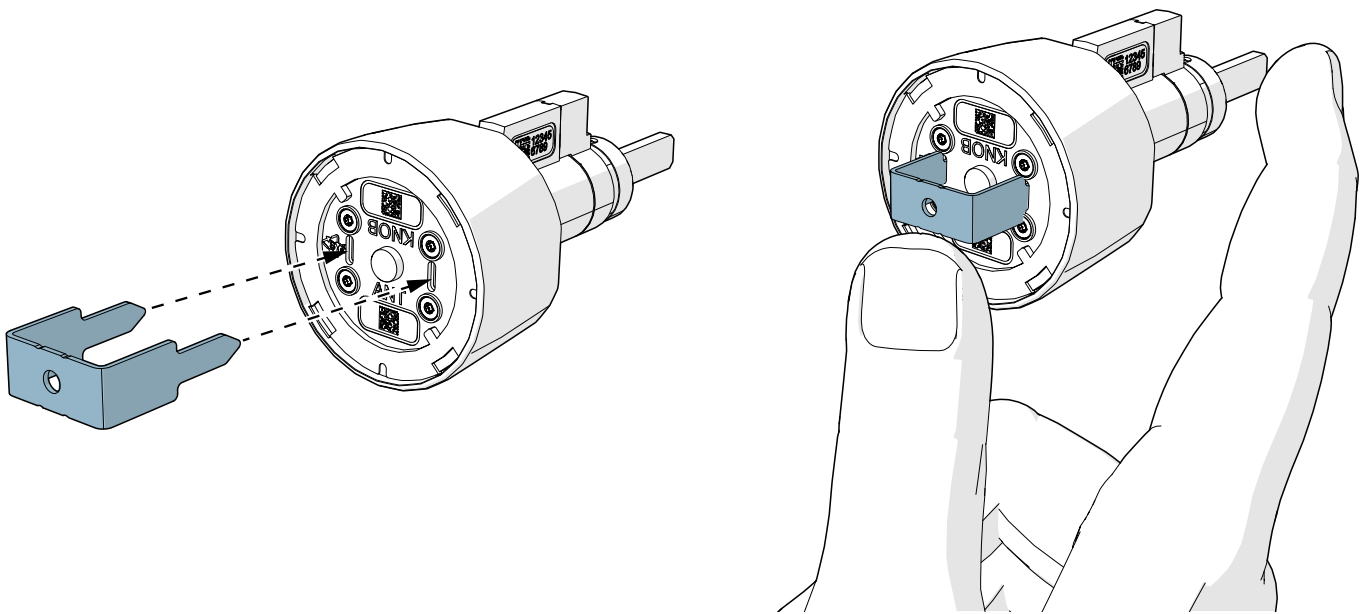
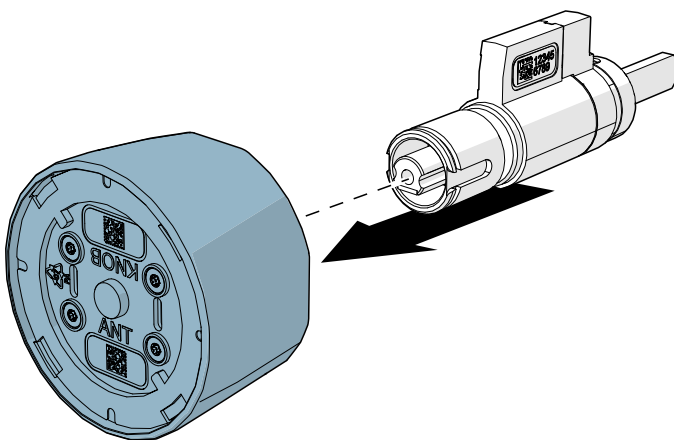


5.2 Installation of the iLOQ KIK for Deadbolt Cylinder

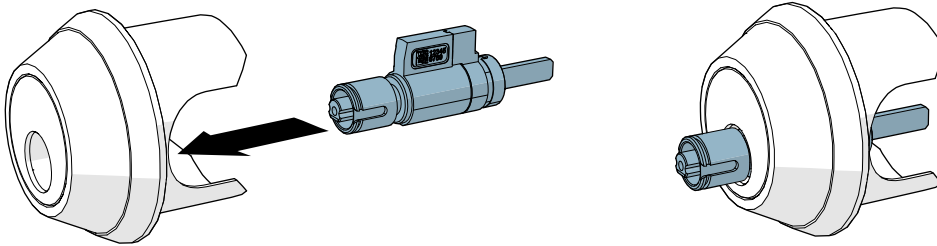
1. Insert the knob removal tool (supplied with the cylinder) into the front of the knob to remove the knob from the cylinder. Press firmly on the tool until it clicks.



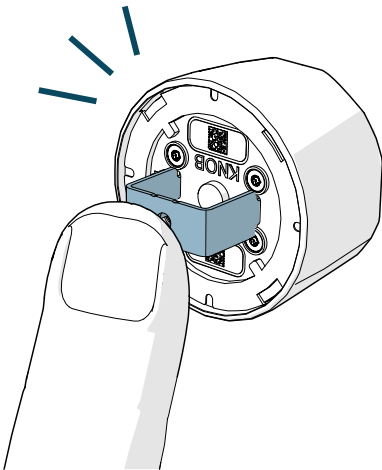
2. Pull the knob from the cylinder.



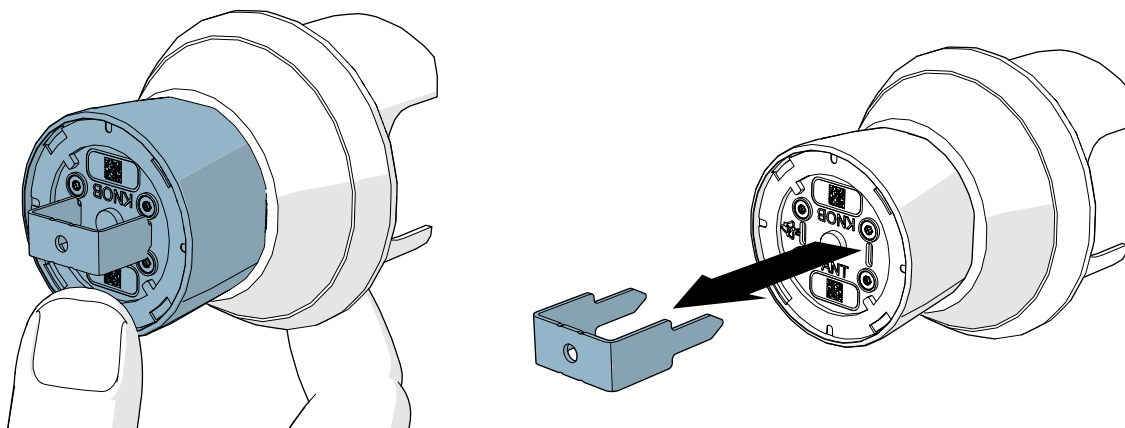
3. Slide the KIK cylinder into the deadbolt body.



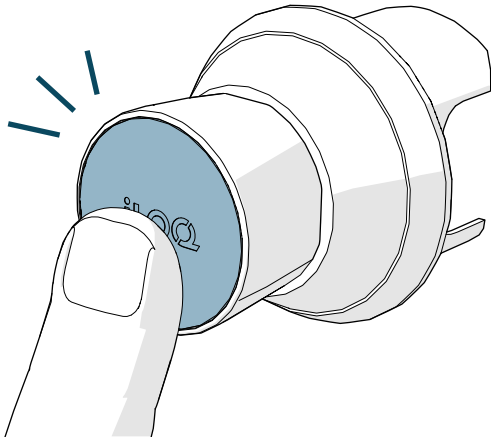
4. Attach the knob to the cylinder by inserting the knob removal tool into the front of the knob. Press firmly on the tool until it clicks.



5. Slide the knob into the cylinder and push it until it stops. Remove the tool from the knob.



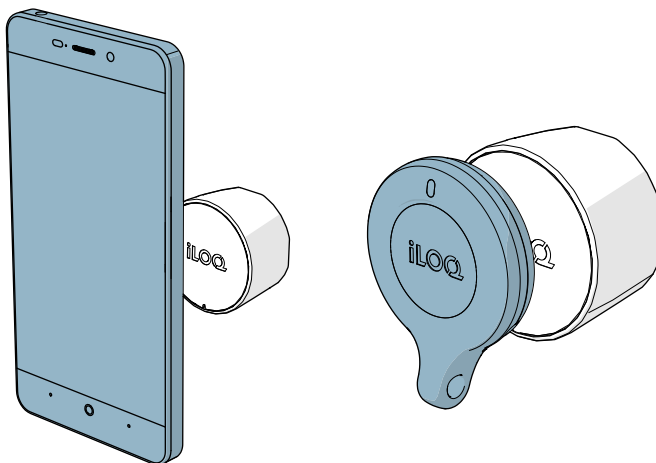
6. Insert the iLOQ cap into the front of the knob. Press firmly on the cap until it snaps in.



6. Operating instructions

6.1 Opening

1. Hold a valid key against the reader knob and wait until the key shows a green light.

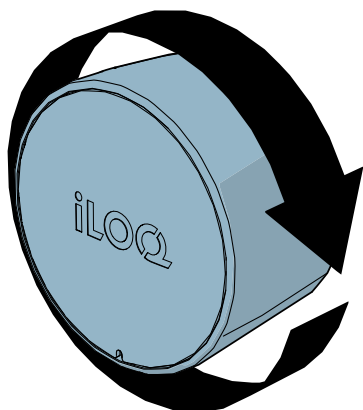


Due to the large variety of Android phone models and operating system versions, iLOQ cannot guarantee that all NFC-enabled Android phones will work seamlessly with our locks.



Before using the locks, check where the NFC antenna is located in your phone so that you know the best position to hold the phone against the knob.

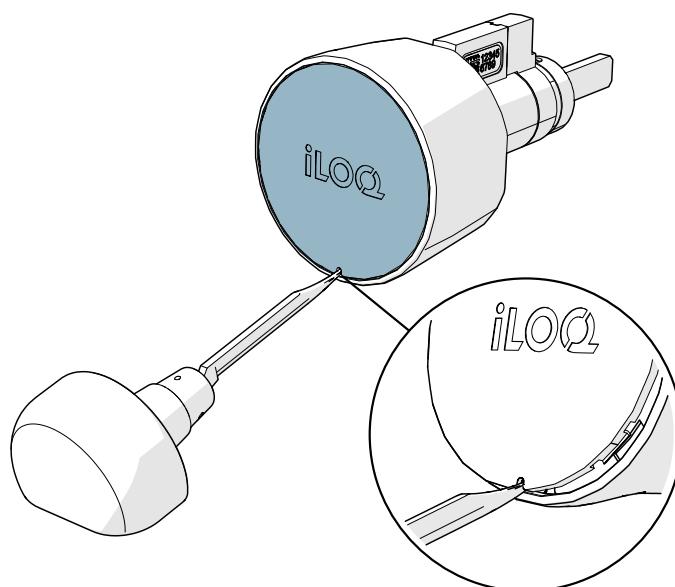
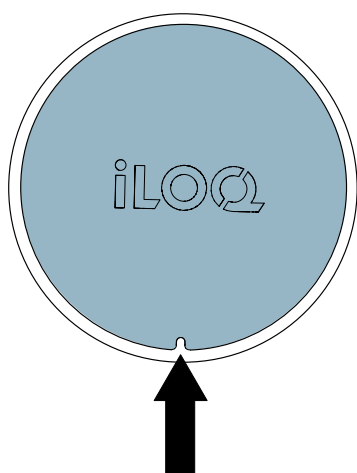
2. Turn the reader knob to unlock the door, then open the door.



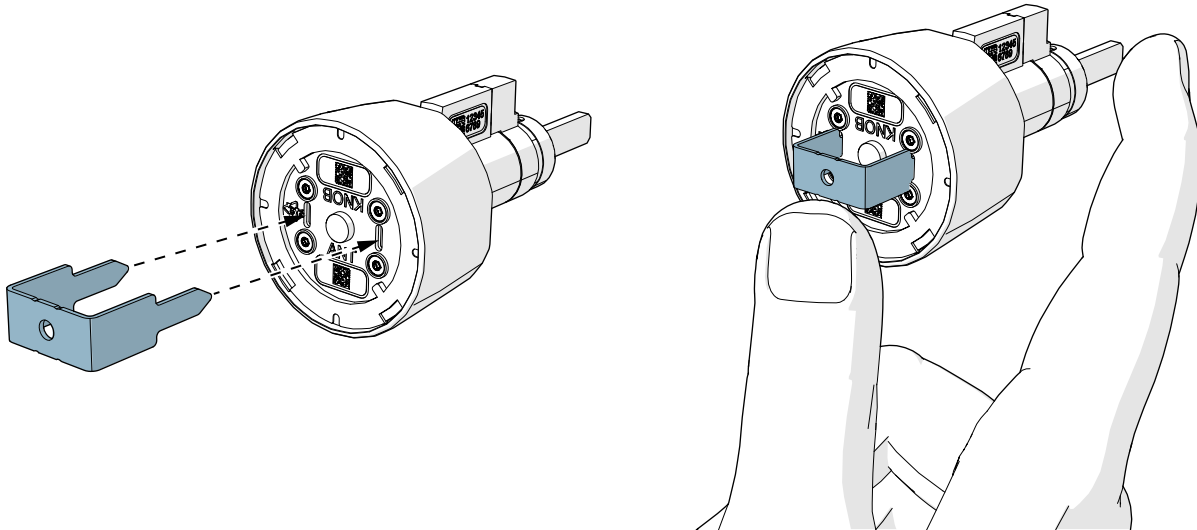
After 5 to 15 seconds, the cylinder will automatically be locked. When the cylinder is locked, the reader knob cannot be rotated.

7. Replacing the knob

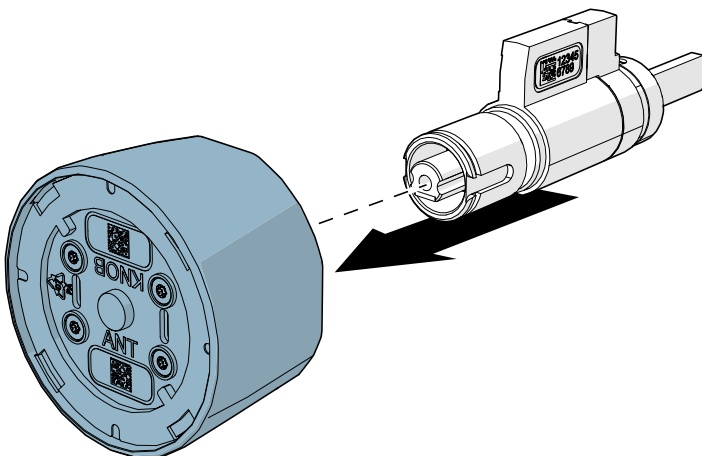
1. Remove the ILOQ cap from the knob by inserting a tool into the hole of the front cap.



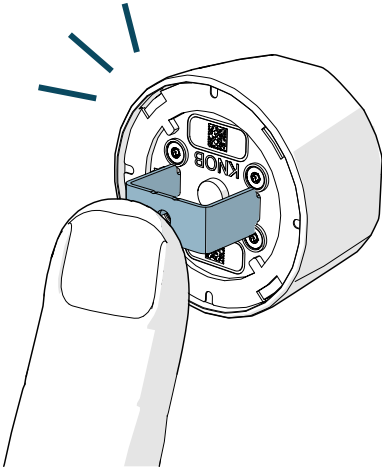
2. Insert the knob removal tool (supplied with the cylinder) into the front of the knob to remove the existing knob from the cylinder. Press firmly on the tool until it clicks.



3. Pull the knob from the cylinder.



4. Insert the knob removal tool into the front of the new knob. Press firmly on the tool until it clicks.



5. Slide the knob into the cylinder, push the knob until it stops. Remove the tool from the knob.

