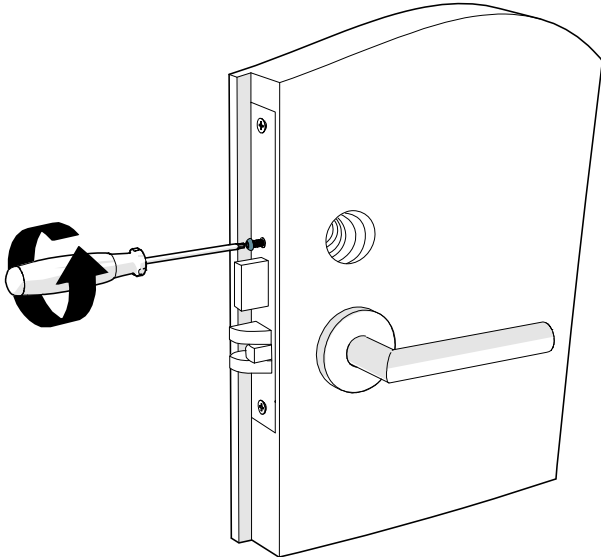
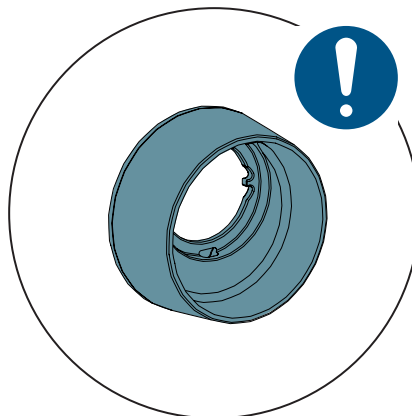
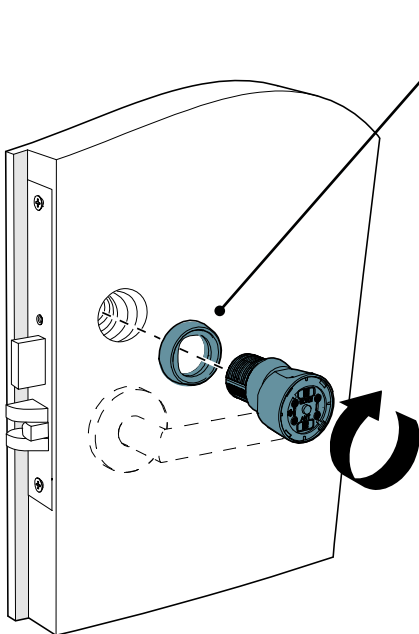


5.1 Installation of the iLOQ Mortise Cylinder

1. Loosen the cylinder set screw of the mortise case to clear the cylinder's mounting hole.

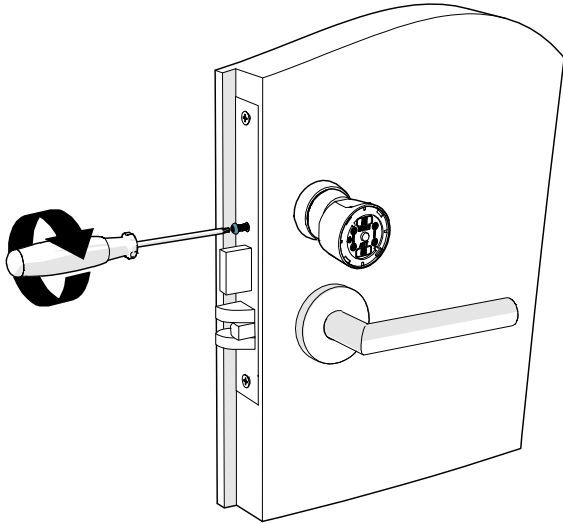


2. Thread the iLOQ cylinder with the **security ring*** into the mortise lock.

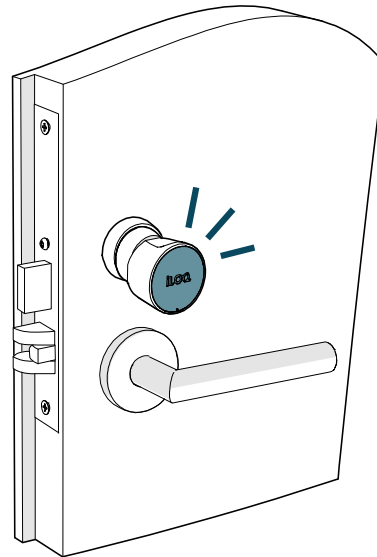
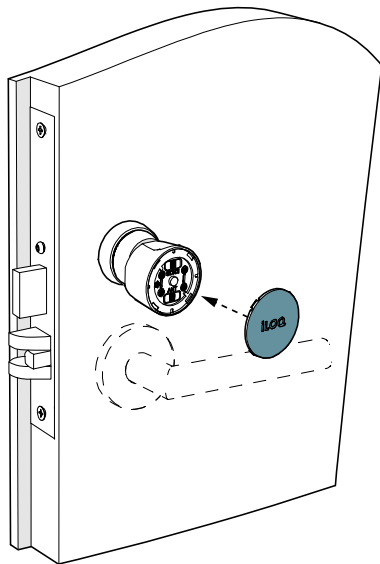


*The security ring could be replaced by a **high guard escutcheon** to provide an extra protection to the cylinder and the knob.

3. Tighten the cylinder set screw of the mortise lock case.



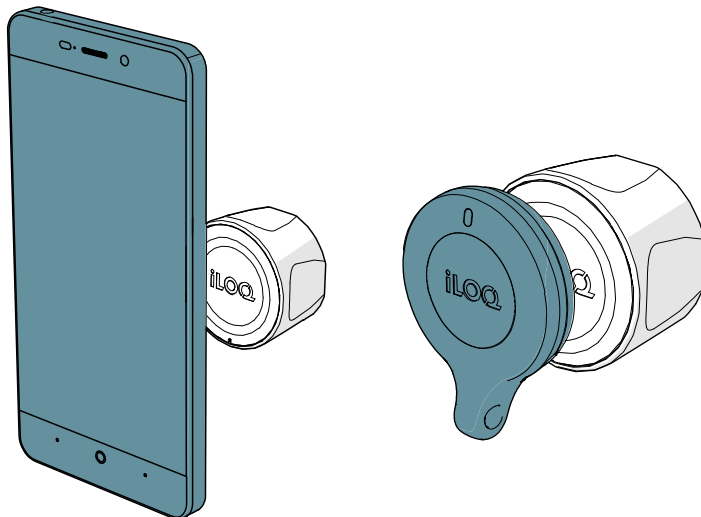
4. Insert the ILOQ knob cap into the front of the knob. Press firmly on the cap until it snaps in.



6. Operating instructions

6.1 Opening

1. Hold a valid key against the reader knob and wait until the key shows a green light.

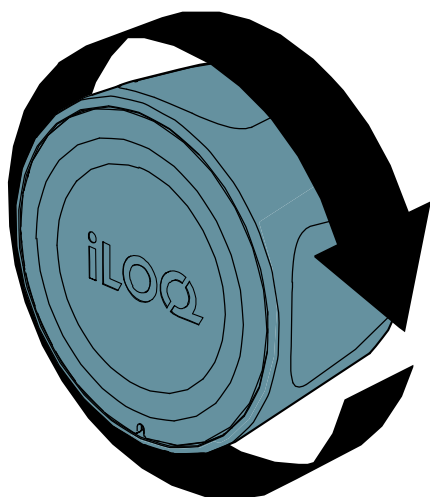


Due to the large variety of Android phone models and operating system versions, iLOQ cannot guarantee that all NFC-enabled Android phones will work seamlessly with our locks.



Before using the locks, check where the NFC antenna is located in your phone so that you know the best position to hold the phone against the knob.

2. Turn the reader knob to unlock the door, then open the door.



After 5 to 15 seconds, the cylinder will automatically be locked. When the cylinder is locked, the reader knob cannot be rotated.