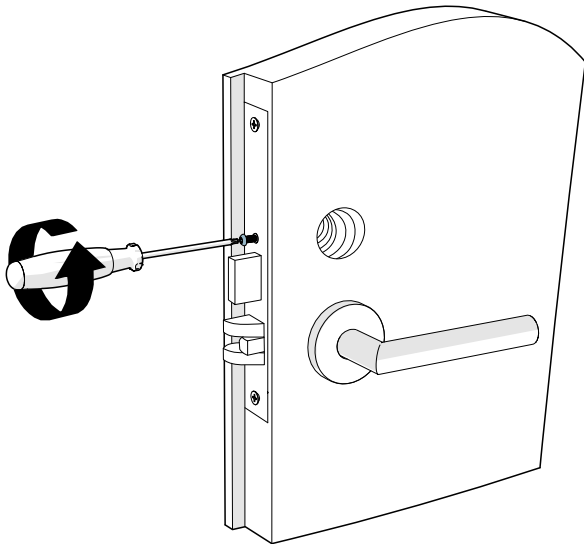
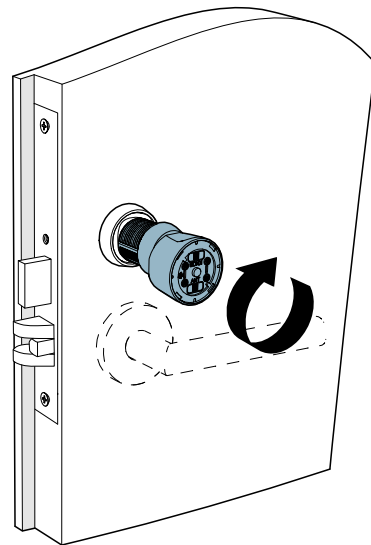
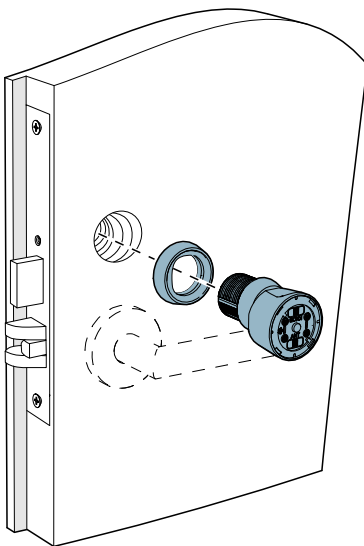


5.1 Installation of the iLOQ Mortise Cylinder

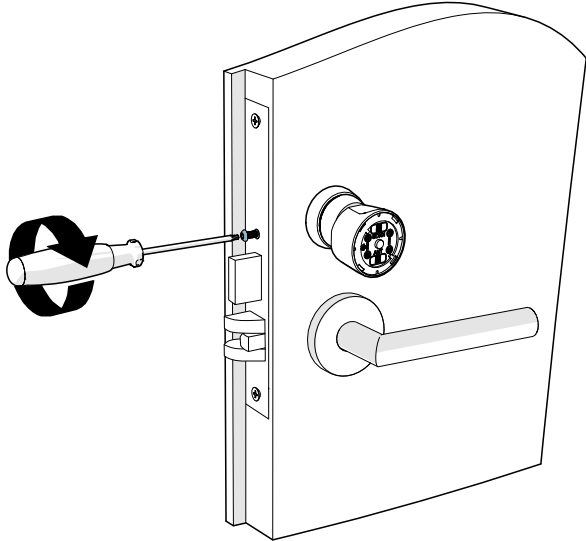
1. Loosen the cylinder set screw of the mortise case to clear the cylinder's mounting hole.



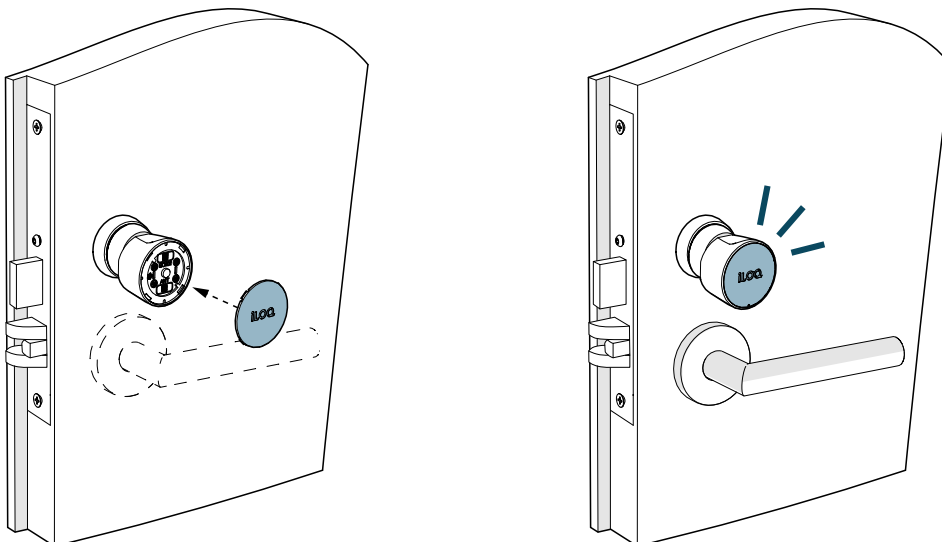
2. Thread the ILOQ cylinder with the security ring into the mortise lock.



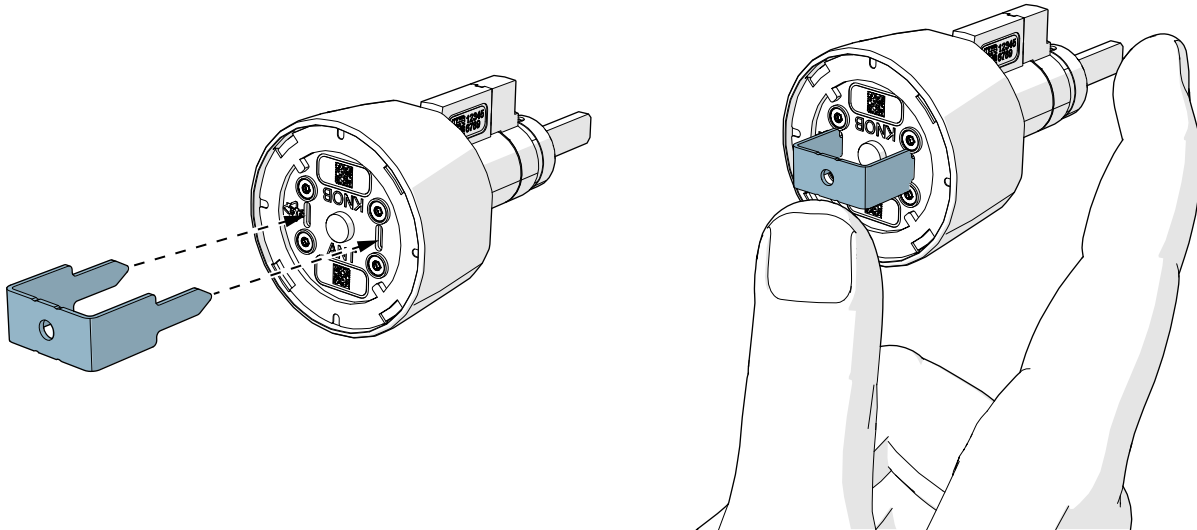
3. Tighten the cylinder set screw of the mortise lock case.



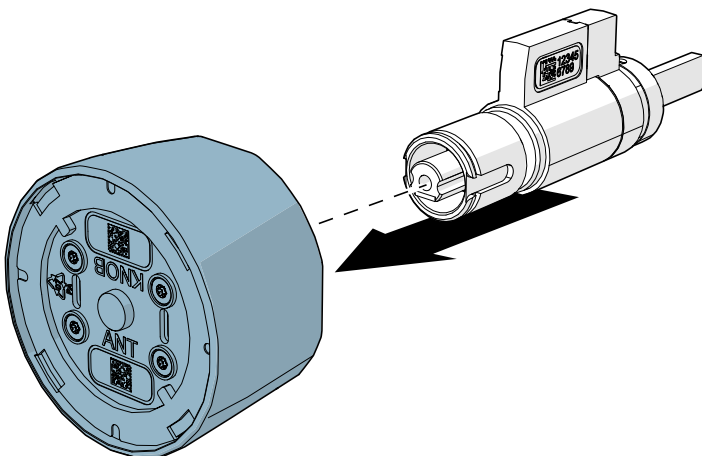
4. Insert the ILOQ knob cap into the front of the knob. Press firmly on the cap until it snaps in.



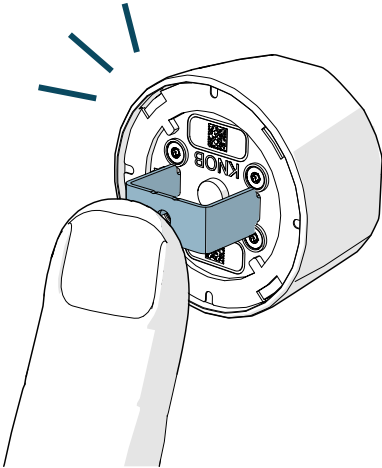
2. Insert the knob removal tool (supplied with the cylinder) into the front of the knob to remove the existing knob from the cylinder. Press firmly on the tool until it clicks.



3. Pull the knob from the cylinder.



4. Insert the knob removal tool into the front of the new knob. Press firmly on the tool until it clicks.



5. Slide the knob into the cylinder, push the knob until it stops. Remove the tool from the knob.

